

# PACK RATS CHEESE BITS

VOLUME V



MT. AIRY V.H.F. RADIO CLUB, INC., PHILA., PA.

NUMBER 3

(50.2, 144.2, 221.4, 432 & 1296 Mc.)

W3CCX

JUNE 1962

MEMBER  
A.R.E.A.

(Meeting Notices; Last Page)

Editor is; Charter Member & Director; AMATEUR RADIO EDITORS' ASSOCIATION



**PACK RATS**

## WINNER 15<sup>TH</sup> A.R.R.L. ANNUAL JANUARY, 1962 V.H.F. SWEEPSTAKES

### EDITOR'S CORNER

To all members we only have this to say; CONGRATULATIONS FOR A JOB WELL DONE,  
AND THANK YOU FOR PARTICIPATING!

To each and everyone of you, we ask that you read the following(my brainchild)  
and remember it!

#### WE WON!

THIS YEAR, AGAIN WE ARE ON TOP.  
EXPAND YOUR CHEST, LET THE BUTTONS POP.  
NOW, REACH DOWN UPON THE FLOOR;  
AND PICK THEM UP, SEW THEM BACK ONCE MORE.  
DO NOT SIT BACK, WITH YOUR TROUSERS PLEATED  
REMEMBER, WE TOO, CAN BE UNSEATED!  
AND SO, DEAR SONS, SO DEAR,  
REMEMBER, YOU HAVE A JOB NEXT YEAR!

\*\*\*\*\*

Let's be honest, we wouldn't be human if we did not brag a little about our accomplishment, and thanks to W1HDQ, Ed Tilton and the ARRL, we were informed slightly ahead of the other clubs. We were told that Mt. Airy, not only won the Sweepstakes, and had the highest score, but also had the number one scorer in the U. S. W2EIF, Jo, who not only got that award, but also the award for high score in South Jersey Section. Ernie, W3KKN, won the Section Award for Eastern Pennsylvania, and Charlie, W3IBH, was the high scoring two meter man in the country. Ed also apologized for the omission of W3IBH, as the high scorer, on 2, in QST for the 1961 V.H.F. Sweepstakes. Ed, W1HDQ, presented the gavel to Jack, W2AXD, our President. Our slogan has always been; NOT QUANTITY BUT QUALITY COUNTS!

Our thanks to Ed, W1HDQ, and the ARRL for the personal presentation off the gavel and awards.

"CHEESE BITS", PUBLISHED MONTHLY BY  
MT. AIRY V.H.F. RADIO CLUB, INC.,  
PHILA., PA. \$1:00 a year

EDITOR: HELEN BRICK, XYL, W3SAO  
829 W. Fishers Avenue,  
Phila., Pa. 41,  
215- DA. 4-7524

CLUB CALL: W3CCX

TRUSTEE: W3FOZ, CHARLES KOELSCH  
2600 Horsham Road,  
Hatboro, Pa.

V.H.F., P.A.M.: W3SAO, FRANCIS BRICK

PRESIDENT: W2AXU, JOHN POWER  
VICE-PRES: K3IUU, BERT SOLTOFF  
REC. SEC.: W3ZRR, RAY WHITEHEAD  
COR. SEC.: W2EIF, JOSEPH KILGORE  
TREASURER: W3MVF, DAVID BLOCH

DIRECTORS: W3CL, HARRY STEIN  
W3KKN, ERNEST KENAS  
W3HKZ, EDWARD KUSHNER  
W3SAO, FRANCIS BRICK  
K3CIV, RALPH HERSH  
(Ex-Officio)

MEETINGS: DIRECTORS: Second Wednesday  
each month, 8:00 P.M.

GENERAL: Third Wednesday  
each month, 8:00 P.M.

MEETING PLACE: West Oak Lane Jewish  
Community Center,  
Sedgwick & Thouron Sts,  
Mt. Airy, Phila., Pa.

NETS: 144.2, Monday, 8:00 P.M.  
50.2, Monday, 9:00 P.M.  
221.4, Monday, 10:00 P.M.  
NITWIT, Monday, 10:15 P.M.

NET CONTROLS: 2 meters, W3SAO, Alt.  
W3AYG  
6 meters, W3CL  
220 Mc, W3KKN  
NITWIT, W3SAO

COUNCIL REPRESENTATIVES:

W3AYG, JOHN HARRIS  
K3LBT, ALFRED OBENLAND

\*\*\*\*\*

The following has nothing to do with  
radio, but I found them interesting.

This one is for our cab driver member,  
K3EMA, Pete.

FROM THE SUNDAY BULLETIN, MAY 6, 1962

DATELINE ANYWHERE -By, Paul Trescott

"GOOD WORD FOR CABBIES"

Several friends, who have had recent  
experiences with the use of taxi cabs  
in Philadelphia and New York, have  
called my attention to the difference  
in the service -- all to the credit of  
Philadelphia.

The universal verdict is far more  
courtesy and consideration on the part  
of the Philadelphia cabbies than the  
New Yorkers exhibit. This may be due  
to the fact that many New York cabs  
are operated by their owners, or that  
they deal with a public which is more  
cantankerous.

The latter is to be doubted. But per-  
sonal experience bears out that of my  
friends, and they universally have a  
good word for the local drivers, even  
though at times new operators do not  
know the city intimately.

Some time back I had a game leg which  
necessitated use of a cane. Getting  
in and out of a cab was a real chore,  
and it was impossible to walk more  
than a few steps without further as-  
sistance. There were days, indeed,  
when I engaged a cab to ride across  
the street from 30th street station to  
the Bulletin building.

No matter whether the trip was across  
the street or a couple of miles in  
length, there was the same friendly  
assistance. But a weekend that had to  
be spent in New York during that inva-  
lid period showed up a totally differ-  
ent story. Of perhaps 30 cabs over  
the weekend, not a single driver off-  
ered to help me, and many did not  
bother to open the door. Even a re-  
quest for assistance on one or two  
occasions brought only surly response-  
and naturally no tip, which didn't  
help matters any.

In other cities, the experience of  
friends varies. One, afraid of city  
traffic, engaged a cab in Chicago mere-  
ly to make a U-turn and deposit him on  
the opposite side of the street. For  
this minor favor he was happy to pay a  
dollar, though he insisted long after-  
ward, that the driver thought he was  
nuts.

It is a common experience here, and  
not so common elsewhere, to find dri-  
vers holding up a line of traffic to  
let a beset driver of a private car  
come out of a driveway or pull into a  
line of cars.

With 2700 drivers and about 1600 Yellow  
cabs on the street here, it is unusual  
to find such a high percentage of cour-  
tesy. On car maintenance, something  
is to be said for the company too.  
Some time back we had occasion to call  
a cab, and when the driver tried to  
start up after loading passengers and  
luggage, the motor wouldn't turn over.  
A train was to be made, the driver of  
the disabled vehicle made a quick phone  
call and a replacement was on hand  
within minutes - in plenty of time to  
make the train.

The life of a cab driver is not all  
pleasant, by all means. In addition  
to the danger of holdups during the  
night hours particularly, he is faced  
with dealing with a public which has a  
certain segment seemingly determined  
to be snotty. How some of the drivers  
keep their temper under such circum-  
stances is remarkable.

Most cab drivers don't like the Schuyl-  
kill Expressway and with good reason.  
Many a one has inquired whether I would  
using one of the river dives instead,  
and I never do. I, too, don't like the  
Expressway.

The veteran drivers know alternate routes, which may be a little longer but save time, and invariably they inquire from a passenger his preference and explain the difference. Usually, their own choice saves money.

All sorts of experiences befall the drivers, but one of the most unique occurred at 30th Street station. The elderly woman involved had come from another city, where courtesy is notoriously lacking. The driver here put her bags in the back of the car, opened the door, took her arm and escorted her to the door. She fainted.

\*\*\*\*\*

I have had a cab driver, who made a wrong turn, ask me how much I usually paid, and when the meter reached that amount he turned it off.

\*\*\*\*\*

FROM THE EVENING BULLETIN, MAY 12, 1962  
PROM STUDENTS FIND TOT STROLLING ON  
OGONTZ AVENUE.

By J. Harry Camp, Staff writer

Two-year-old Michael David Levin climbed out of his crib in his parents first floor apartment at 6646 Ogontz Ave., West Oak Lane, at 6:45 A.M. today.

The crewcut, brown-eyed boy went to the living room, pulled a chair to the front door, unlatched a chain lock and unlocked the front door.

While his parents and an older brother slept, Michael went for a walk - down the trolley tracks of Ogontz Ave.

Barefoot, wearing only a pajama top and a diaper, he sucked his right thumb, unconcerned until an automobile stopped beside him.

#### CRIES FOR MOMMY

Inside were three teenagers, returning from a senior prom held by Cardinal Dougherty High School at Convention Hall.

One of them, Geraldine M. Uccelletti, 17, of 5826 N. 5th Street, tried to comfort Michael. It didn't work.

He cried and shouted one of the few words he knows - "Mommy".

Geraldine and her companions, Gerald J. Brindley, 17, of 6306 Rising Sun Ave., and Joseph F. Doody, 17, of 700 Stanwood Street, the driver of the car, decided to take Michael to the police.

Michael was still crying when they arrived at the York Road and Champlost Ave. station.

#### SKIN TURNS BLUE

He was shivering and his skin was blue.

Some of the officers tried to give him milk and doughnuts. He sipped some of the milk and nibbled a bit of the doughnuts, but continued crying for his mother.

Police set out with loudspeakers through the West Oak Lane area, asking

if anyone had lost a baby.

At 8:30 A.M., Michaels's mother, Shelia, 24, awoke. She went to Michael's room, which he shares with his brother Jeffrey, five, and saw he was not in his crib.

She became frantic. She awakened her husband, Herman, 24. They went outside but couldn't find the boy. Then they called police.

#### NOT A CHRONIC RUNAWAY

Lieutenant Robert Rainey told her where Michael was. Mrs. Levin rushed to the police station.

Reunited with her son, Mrs. Levin was relieved, but puzzled.

"He's never run away before," she said.

\*\*\*\*\*

We have reprinted the preceding to further publicize the good that the majority of the teenagers in the country do. Too much publicity is given to the delinquents.

We now have a few questions to ask. What were these teenagers doing out until 6:45 A.M. Saturday morning? Weren't their parents worried?

Here in Philadelphia, we have a teenage curfew. Sunday through Thursday; 10:30 P.M., Friday and Saturday; 12 Midnight; unless accompanied by an Adult.

Please do not misunderstand. I do not expect a teenager to be home from a Prom by Midnight, but at least by 1:30 or 1:45 A.M.

Here these three teenagers were in the police station at 6:45 A.M. Were their parents called? Did the police reprimand all of them for breaking the curfew? Not that I know of.

\*\*\*\*\*

FROM THE PHILADELPHIA INQUIRER, MAY 17, 1962

#### ON THE LIGHTER SIDE 'GRAB BAG' SHOWS UPSET VIEWERS

San Bernardino, Cal., May 16.

The way this Southern California city's temperamental television sets have been acting lately, local viewers can't be a bit surprised if they start picking up the late, late shows from Moscow.

For the last several days viewers have been tuning their sets to their favorite programs only to find that they were receiving channels from as far away as Laredo, Texas, Portland, Oregon, and Wichita, Kansas.

Local servicemen have been answering hundreds of calls connected with the jamming, but say they are powerless to correct it.

Television technicians explain that the freak reception apparently is

being caused by cloud formations that bounce television beams into the area.

\*\*\*\*\*

Remember in an earlier issue, in K.U.I. we had a report of a television transmitter in the west interfering with television transmission here in the east.

Because of our geographical location, we always have Channel 2 in Baltimore, Maryland, interfere with Channel 2 in New York. Each city is approximately 90 miles from us in a straight line, and Baltimore comes in off the back of the antenna.

\*\*\*\*\*

# NOTICE

## F.C.C. RULING CHANGE IN APPLYING FOR RENEWAL OF LICENSE

As of May 10, 1962 it is no longer necessary to have the application for RENEWAL notarized.

\*\*\*\*\*

A REMINDER: You will notice that the forms now being used are the same as you used for your original license. When filing for your renewal, be sure that you attach your LAST ORIGINAL LICENSE along with all of the RENEWAL CARDS.

If you have lost your last ORIGINAL fill in No. 10 on the form.

\*\*\*\*\*

## NEW PRODUCTS OF INTEREST TO HAMS

By W3NSI, Lyn Rowland

### 1. Swan SSB Transceiver;

This unit may be of interest for portable and mobile use and when used with a Mixer unit and Receiver Converter, may be used on 6 & 2 meters. Could be a very cheap way to fire up on VHF SSB. Units are available for 80-40-20 Meters, single band coverage. The SW-120 for 20 M uses the Upper Side band which would be in use on VHF where there is a choice, and this unit covers 14.2-14.35, so 150 Kc would be available unless crystals were switched on the Mixer Unit. P-P is 130 Watts and the unit is 3 1/4" wide, 5 1/2" high and 11" deep. A Crystal lattice filter is used on both transmit and receive.

Price \$275 less P.S.  
Available; Elliott Electronics,  
418 N. Fourth Ave.,  
Tucson, Arizona

### 2. Eddystone Full Vision Dial #598

A new item in direct competition with the National SCN. This unit has the advantage of a much smoother drive mechanism plus the fact that

being 4 1/2 x 6 inches, it can be mounted on a 6" box, whereas the National SCN is 6 1/4" long and would hang over the edge. Complete freedom from backlash and binding.

Price; \$8.00

Available; British Radio & Electronics

1742 Wisconsin Ave., N.W.  
Washington, 7, D.C.

73,  
Lyn

\*\*\*\*\*

## SARCASTIC CORNER

By David Gindin, K3BPK

To those of you who actually read "Cheese Bits" and not just "Swap Shop", stay awake! This gets better as the frustration wears on.

During the past few months I have noticed both Lyn, W3NSI, and Ed, W3HKZ, inserting little goodies about "new gear". Before I go on, I would like to say I am not against the development of new equipment, BUT!, some of the prices are not within the reach of the average wage earning ham.

What about all of the "Junk" now available that most fellas just don't know exists. Granted, much of this falls into a price category that only the upper echelon of the club could afford, and many would hesitate at that. But, to the plain old ordinary ham, with the proverbial connections, some COULD BE HAD, if they knew what to ask for!

(Geofed, forgot to finish the word "available" in the first line of the above paragraph. Sorry, Ma.)

For instance;

Vitro Electronics Corp. has a receiver in their 1500 series. A few details; Model #1503 A, 4--180 Mc, .5 MV for 10 DB "S over N", AM, FM, CW variable bandwidths from 1 to 300 KC. This neat little package, all for \$1,050. (That's not a period after the 1 but a comma)

Feel outclassed? Read on; The above unit is being used extensively in satellite work. Consequently, as with most such equipment, it will soon be obsolete. So, Ha,Ha. If my guess is even close, surplus this unit will cost about \$50.00

Read on, it's getting better:

James Millen Mfg. Co. has many "Module Oscilloscopes" available. These can be bought with or without the scope tube, in a price range of \$12 - \$15. They are not a complete scope, (that is if all you'd use is a techtronics) but can be built into a panel easily enough and make a fine modulation monitor with the appropriate connections. \$15 is a pretty darn cheap price for a monitor like that.

Anybody interested in surplus parts? Get this! Tube sockets for 4x150A's

are selling for \$1.50.

Meanwhile, back in the Jungle, "Bud" (I don't mean K3AIQ) has a series of "Do-It-Yourself cabinets, specifically designed so that you can design them into almost any shape, form or fashion you so desire. To be exact; custom design your own console. It can be as simple or as elaborate as you like. Just in case you are interested, it is called the "Bud Imlok System".

On the serious side, anybody desiring to know more about the above, JUST ASK. My E.S.P. is on the blink.

73,  
Dave

\*\*\*\*\*

(To Dave from "Mother Rat";

I think that you have misnamed your article. Instead of "Sarcastic Corner" it should have been "Drooling Corner", because as you stated some of the prices for new equipment are out of the reach of the average ham, and you just sit and drool, wishing you could afford them.

To be serious, since you were the first one to send in an article on the subject, why not send in more as you hear of the different equipment. Why not give it the title; "Good Surplus Gear For The Average Pocket", or "Low Priced Gear"? Merely a suggestion for a title.

Another suggestion. If possible, why not include the name and address of where they can be purchased, unless it is strictly private and arrangements must be made with you for the purchase.)

\*\*\*\*\*

QRX SIX METERS

By K3MSV, Jule Bernoff

QSL cards are flying back and forth like mad...XYL's are complaining that the DM is spending too much time in the shack...work around the QTH is not getting done...blood pressure is on the rise...old timers are cussing out the young lads because of their QRM...you hear conversations like: "I would've made contact with that 7 but some guy jumped right on frequency and called CQ a hundred and twenty nine times!!!" "QRM...QSB... please QSY just a few KC...Please come back...PLEASE...I need your state...Hey tell him I'm right on frequency...look for me after you sign...California!!!!Who hear California...must be some kind of a nut...darn that noise level...every time the band opens up all I copy is the power line across the street Q5..."

And so it goes...all of this, of course means that Six Meters has been open, to put it mildly, and that any serious minded DXer could've worked pretty near ALL of the U.S.A. (except Hawaii.. and that'll probably be in after we go to press) over the last month or so.

You name it, and one of the locals will tell you that sometime during the last month he worked it...Double hop to California...Cuba...Puerto Rico...rare states like N & S Dakota...W. Va....Ky. and many many more...so grab 'em while you can, fellows...in another month or so it'll be all over for the summer and we'll go back to good old rag chews!!! Enough said about the DX, we wish everyone plenty of it.

Observations on Ladies' Night: K3HWZ and W2AXU, "Trenton", have signed contracts to go on the road with the Jaye Brothers as a regular part of the act. W3KKN has agreed to write 2000 new jokes to replace the banana in the ear story...Next year, instead of having tickets with stubs, we are going to have stubs with tickets...K3LBT has an uncontrollable urge to empty filled-up ash trays on the floor or on table cloths...K4HJA and K3ALK felt uncomfortable sitting on the side of the room with the "intelligentsia" and want to be on the other side next year...who was the gal, at the bowling banquet that W3ASD kept looking at?... watch 'im, Nell...W2EIF complained that the gal doing the twist was out of the band and FMing all over the place...Quite a twister with K3... K3IUV and XYL still don't know who bought them the drink before the show started...It was good to see everyone there, we thoroughly enjoyed it as everybody did, congrats to the committee for a job well done.

\*Sorry, Jule, I don't know his call either.

\*\*\*\*\*

TWO METER ACTIVITY

By "Tweaker Rat", W3LHF,  
Dave Zimmerman

The summer VHF season is with us men, as predicted in last month's column and on several occasions the old band can be said to have been jumping. New England stations haven't been heard so well since last summer at this QTH and a good number of our local gang was heard taking advantage of the situation

The 26th of April produced W1VJG and W1TLZ from Conn. with at least six other stations from up that way. 1 May was also good with W1ECI and W1HKL on the horn. Also on the first of May W3CUX from Baltimore was twenty over nine from the back of the antenna and reported W4VJC, W4GOC and K4EUX all in Va., looking for contacts up this way before I came on the band.

May 10 was a quiet night as far as general openings go, but K1CLL from York, Maine was heard for a few minutes calling CQ from his mountain top portable location. Many of the fellows will remember Bill from his activities last summer from just about all those tough states, VT., N.H., and ME. He is good for a QSL if any of you need those states. Along the same lines, W1COP is also portable in Maine at some 5000

foot mountain location and it is understood that he will be in Maine for the summer. Look for him above 144.5 up to 144.9. He was heard talking to a K2 on the 13th of May but his signal was not making the grade on that particular evening.

K2ZSQ reports that he will be in Tennessee during the contest weekend of August 28, 29 on a mile-high mountain in the Great Smokies. His plans are to operate medium power with a long-john antenna on 144.108 mc from 1200 EST on Saturday to 1800 EST on Sunday. He will be glad to arrange definite schedules with anyone needing Tenn. on two meters. (who doesn't!) (Ed note: K2ZSQ is Bob Brown, editor and publisher of "The VHF Amateur".)

K3MPN, in Sunbury, reports that he is planning to add two meters to his portable activity this summer and has a six meter Gonset that he will be glad to exchange for a two meter version of the same. Any takers?

The DX season is once again bringing to light the nasty problem of radiation from two meter rigs being used to drive 432 transmitters. This problem has plagued me for several years. I wonder if anyone else has the same trouble?

Look for a strong carrier at 144.6 mc with microscopic modulation. Reports would be appreciated.

73,  
"Twecker Rat"  
W3LHF

\*\*\*\*\*

### A TRIBUTE TO MOTHERS

By Harry Brick, Age 12

Once a year is Mothers' Day to mothers all around. For most, a very special day. Do mothers always wait for them to have a happy time? It isn't just one day a year that mother should get a rest. She works so hard and helps you too. Do you always tell her yes, or sometimes shake your head no? No matter who you are, or what you are, she always loves you still.

Whenever you're in need of help, mother's always there with a helping hand. When mother takes you to church, she lends a helping thought. In Sunday School, she always stays to hear you say your piece. My mother takes me to church to learn the word of God.

When mother sometimes scolds us, it is not that she doesn't love us, but she does it to correct us, and teach us right from wrong.

I love my mother because without her I wouldn't know what to do and she loves me too.

Once a year is not enough for Mothers' Day. Why not make it everyday?

\*\*\*\*      \*\*\*\*      \*\*\*\*

I hope you will forgive us for doing a little bragging, but the preceding was written by the Jr. Op. and presen-

ted by him in church on Mothers' Day. It may not be a work of literary art, but it was written by him with no outside help, and to me was the best Mothers' Day present.

The part that I like the most is that he says "takes...to church" and not "sends".

The slogan of all religions is; "Don't send us your children, BRING THEM."

\*\*\*\*\*

### REVIEW OF "LADIES' NITE"

By "Mother Rat"

The scene of "Ladies' Nite" was the Southwark A.C., on Saturday, May 5, 1962, with 81 present.

The dinner was delish; roast beef just melted in your mouth, 1" thick.

The entertainment was fine. A wonderful harmonica player; one of the cleanest MC's and a fine singer; a very shapely tap dancer and of course those crazy Jaye Brothers. Except for the "Banana in the ear" joke, they had an entirely new show. They remembered entertaining us last year, and wanted to know how we could put up with them a second time. They also explained to the other parties there, who we were and what fine work the amateurs do for the public and the country.

Drawings were held for door prizes, and John, W3AYG, won the big prize for the men; a National Receiver? Oh no! All wrapped up in the box was another box with the message, "It's Ladies' Nite, what did you expect? Give it to her, you RAT!" It was a five pound box of chocolates. (More calories, Polly, make John eat it.)

Last year the boys thought I needed a vacation so they gave me a suitcase. This year they want me to do more work, so they gave me an electric can opener and knife sharpener, so I can get the meals ready quicker and get back to the typewriter. I think next year they will give me a hot plate, so I can hook it up on one side of the typewriter and the can opener on the other side and keep typing while cooking.

All kidding aside; they gave me just what I have been wanting and needing, as the one I had kept jumping off the edge of the can. I am very grateful to the boys and can only say, "Thank you".

Each lady received a purse size sewing kit as a souviner.

We are sorry that Alan, W3OR, had to cancel his reservation because of work. We missed you and Mae.

We would like to introduce the "Toni Twins". "Grandpop Bill", K3HWZ, and Jack, W2AXU. The Jaye Brothers sure did pick on them.

Ben, K3ESL, said that he couldn't see the floor show because of the polished

FOR SALE: Cabinet, 4" x 6" x 14"  
Black with Gold panel  
(4" x 14") Price; \$3.00

CONTACT: KN3UCA, Al Harrison  
215- RE. 9-6405

FOR SALE: 10 brand new military 829A's  
all 10 for \$75.00 or \$3.00@

4 - 832A's, military new,  
\$4.00 each

4 - 811's, military new  
\$10.00 for all

1 - 12 V Dynamotor - 400 V  
@ 375 mils. \$5.00

1 - 8C 224C receiver. New.  
110 V conversion. \$60.00

CONTACT: K3QWV, William Arnold  
Box 132,  
Lafayette Hills, Pa.

FOR SALE: SX42 Receiver/Transmitter,  
Home brew, 120 W, 829 final.  
4 element Telrex beam.  
Mike and crystals included.  
Xtl freq. 50.2, 50.3, 51 &  
51.3.

Alliance Tena Rotor and  
Control box. \$175.00

CONTACT: W0FGL/3, Jack Glaser  
215 - EL. 7-5173

FOR SALE: 220 Xmtr., 6360 rig from  
'57 Handbook with 3 meters.  
5 over 5 Telrex with phas-  
ing lines, matching modu-  
lator. From westcoast  
handbook with 6SJ7, 6J5,  
6SN7, PP6L6. Res. coup  
with UTC or ULT I match.  
Mod. Xfmr (15W).  
All above mounted on chassis  
but never wired. All new  
tubes and parts.

CONTACT: W3CZK, Frank Webb  
215 - NI. 4-8259

WANTED: Heath Sixer

CONTACT: W3JJZ, Elliott Weisman  
8533 Algon Avenue,  
Phila., 15, Pa.  
215- PI. 2-3525

FOR SALE: Radio and TV tubes at 35%  
off list price.

FOR FREE: TV Servicing magazines,  
Electronic Technician and  
P. F. Reporter. First come  
first served.  
Am looking for back issues  
of QST and CQ.

CONTACT: K3IUU, Bert Soltoff  
8582 Benton Avenue,  
Phila., 15, Pa.  
215 - PI. 2-2619

\*\*\*\*\*

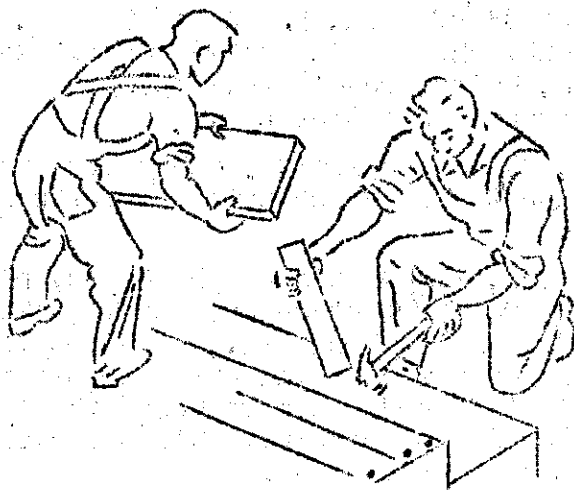
#### ANNOUNCING

#### THE ALMO CLUB PLAN

for the purchase of

#### AMATEUR EQUIPMENT

This is a lay-away purchase plan, with  
a 10% discount. No down payment, no  
carrying charge. Details at your  
nearest Almo Store.



## ARRL BUILDING FUND HONOR ROLL

We are all aware by this time, that  
the ARRL is in need of larger Head-  
quarters, and are in the process of  
making arrangements for such.

Through the insistance of the members  
wishing to have a part in sharing the  
expense, a building fund has been set  
up.

The Board of Directors have come to  
the conclusion, that instead of taking  
a stated amount out of the treasury,  
to set up a BUILDING FUND HONOR ROLL,  
whereby each individual member may  
contribute any amount they so desire.  
This money is to be paid to Dave,  
W3MVF, the treasurer, at each meeting,  
or by mail. An accounting of this  
money will be kept separately from the  
club treasury.

It has also been decided that no mem-  
ber will be asked to make a pledge.  
You may contribute a small amount  
each month, or one large donation.  
It is entirely up to you how much,  
and how often you care to add to the  
fund.

Each month, in "Cheese Bits", the call  
and name of the contributor will be  
listed on the HONOR ROLL. So as not  
to embarrass any member NO AMOUNT OF  
THE CONTRIBUTION WILL BE MADE.

A committee has been set up under the  
chairmanship of Bill McCutcheon, K3HWZ  
with Harry Stein, W3CL, and Ed Kushner,  
W3HKZ, assisting.

This is your opportunity to help the  
organization, made up entirely of  
hams, that has done so much for YOU!

To start the HONOR ROLL we have;

(Ed note: The following are those  
who contributed at the May 9 Directors  
meeting. If you made a contribution  
at the General meeting, it will be in  
next month.)

W2AXU, John Power

K3HWZ, Bill McCutcheon

W2EIF, Jo Kilgore

If I missed any, I apologize.

LET'S SEE YOUR NAME AND CALL ADDED TO  
THE LIST!

"pates" of Earl, K3HJA and George, K3ALK. (He should talk!) Sorry his XYL, Edith, wasn't feeling well and hope she is better now.

A1, K3LBT and Karl, W3ASD almost went up on the stage when the dancer came on.

George, K3ALK said on the Monday Nite Net, May 7, that he enjoyed the "Mother and Daughter Banquet". It seems that "Rebecca" was making arrangements for a "Mother and Daughter Banquet" at the time he was speaking. Did she give him the horse laugh!

Sorry that Hal, W3HFY, also had to cancel his reservation due to being out of town on work.

Everyone present had a grand time and we had plenty of elbow room. To those who missed it, we say: "Your loss was our gain."

We would like to thank Bill, K3HWZ and his committee for a job well done.

\*\*\*\*\*

### PICNIC, SUNDAY, AUGUST 12

To let the boys know how we are progressing in arrangements, and to further inform the volunteers of their duties, we present the following report.

#### REGISTRATION:

10:00 A.M. to 12 N. - Doc, K3GAS  
Charlie, K3HSS

12 N. to 1:00 P.M. - Jo, W2EIF  
Frankie, W3SAO

1:00 P.M. to 2:00 P.M. - Ossie, W3FSC  
Frank, W3BRU

2:00 P.M. on - Sid, W3GEW (For late)  
Ken, W3CPT (comers.)

#### OPERATORS AT THE PARK: CALL: W3CCX

6 meters - 50.2 - Stan, K3IPM

2 meters - 144.2 - Bob, W3GXB

#### PRIZE TABLE:

Bert, W3TNP and Myself

#### GAME SUPERVISOR: CHILDREN

Dave, W3LHF

#### GAME SUPERVISOR: ADULT

Harry, W3CL

#### PRIZE ANNOUNCER:

Earl, K3HJA

#### TRANSPORT PEPSI COLA:

Harvey, W3VGN

#### TRANSPORT PRIZES & SIGNS TO PARK:

Doc, K3GAS

A1, K3LBT

#### POST SIGNS ON THE HIGHWAY:

Dave, K3BPK

Frankie, W3SAO

\*\*\*\*\*

We are still asking for trading stamps to help defray the cost of prizes. Won't you please share them with us?

The picnic is not until August, but you can see that we have not been sitting on our hands. We have been busy making arrangements. The letters for donations have been written, through the courtesy of Bill, K3HWZ; the permit for the park has been requested; the Pepsi Cola has been ordered and the notice for QST "Hamfest Calander" has been mailed. The programs are in the process of being readied, ie; all ready, except for the acknowledgements.

As you can see, on another page, the flyers announcing it have been made up. Over 100 of them are in addressed envelopes, ready to be mailed to our visitors and friends.

DON'T FORGET: SUNDAY, AUGUST 12, FORT WASHINGTON STATE PARK, FLOURTOWN, PA.

RAIN DATE: AUGUST 19.

SEE YOU THERE?

\*\*\*\*\*

#### SWAP & SHOPPE

CONDUCTED BY: W3ZRR, Ray Whitehead  
4534 N. Smedley Street,  
Phila., 40, Pa.  
215 - DA. 4-5910

(Ed Note: PLEASE give your items to Ray and not to me. After all, he is in charge of the column.)

FOR SALE: Hallicrafter SX101 Mark 3.  
New Condition. \$250.00

Gonset III - 2 meter Communicator. New condition -  
4 Xtals. \$175.00

6 Meter console unit -  
Complete with fold down  
table-top, which protects  
equipment in up position.  
VFO Xmtr with variac, 2 kw  
to control plate voltage  
on modulator and power amplifier.  
Power input can be run from 50 to 600 watts  
by advancing variac control.  
Receiver uses 2 6AJ4 Grd  
grid RF Amp. in Xtal Control  
converter feeding tunable  
IF unit on 6 mtrs.  
Phone or CW ready to go.  
Completely enclosed, including  
2 built-in speakers.

Price; \$275.00 - or will  
accept partial trade.

CONTACT: W3NSI, Lynford Rowland, Jr.  
1822 Dallas Road,  
Phila., 26, Pa.  
215 - HA. 4-0875

(Ed. note regarding the above 6 meter unit: This is a complete, home brew station, built into a 40" long cabinet. I have seen a photo of it, and it is beautiful. Just what any XYL disapproving of ham radio would not be ashamed of. Anyone knowing Lyn's handiwork knows that he will not offer anything for sale that has not been proven and doesn't work. Knowing Lyn, I am sure that he will make arrangements with you for easy payments.)



HIGHLITES - MAY 16 MEETING

To start off, we would like to take this opportunity to thank each club for advertising our meeting.

As you have seen, on the front page, aside from our speaker, W1HDQ, Ed Tilton, VHF Editor, QST, the greatest highlight was the winning of the 1962, January VHF Sweepstakes. We hope to have a page of pictures taken at the meeting in the next issue.

The meeting was called to order by the President, W2AXU, Jack Power.

Our birthdays for the month are; Horace, W3AJF; Dave, K3BPK; Jerry, K3KVS; Don, K3GAY; John, W3JSD; "Mother Rat" and the Mt. Airy V.H.F. Radio Club, Inc.

Our visitors were; Al Brailer, W3UQC, Reading, Pa.; Bill Hess, K3PRF, Reading, Pa.; Dave Ream, K3LWN, Reading, Pa.; Bill Shaw, W3BUR, Quakertown, Pa.; Wm. Emerich, W3MCX, Reading, Pa.; Don Gilmore, WA2QEQ, Hillside, N.J.; Bart Kenas, W3TNP, Willow Grove, Pa.; George Ryan, K2DEI, Mapleshade, N.J.; James Hartman, K3ABS, Reading, Pa.; Dave Heller, K3HNP, Levittown, Pa.; Charles Hummel, K3BFA, Reading, Pa.; Steward Ringler, W3EYN, Reading, Pa.; Richard Ahrens, W3WJC, Reading, Pa.; Stan Olanin, K3IDJ, Reading, Pa.; Herbert Cohen, K3KHV, Temple, Pa.; Sam Rosenthal, K3ABK, Phila., Pa.; Glenn Abercrombie, W4VCC, Arlington, Va.; Dan Cameron, Jr., K3QAZ, Phila., Pa.; I. Seidman, W2GNZ, New York, N.Y.; Al Breiner, W3ZRQ, Tamaqua, Pa.; Bob Pabst, K3ORT, Abington, Pa.; Ralph Humes, K3DJL, Havertown, Pa.; Al Vincent, W3DR, Glen Mills, Pa.; Al Harrison, KN3UCA, Phila., Pa.; Mike Buday, K3KKQ, Phila., Pa.; Bill Binns, K3CXD, Phila., Pa.; Harold Benner, W3DGO, Norristown, Pa.; Emmet Kuehner, W3DUI, Hazelton, Pa.; John Long, K3PRB, Phila., Pa.; Walter Williamson, W3FGQ, Morton, Pa.; Irv Goldstein, Phila., Pa.; Max Salmonsohn, W3JZC, Abington, Pa.; Ray Glemser, W3DJ, Phila., Pa.; "Flash" Myers, W3IUR, Levittown, Pa.; Harry Densham, K3EH, Levittown, Pa.; Karl Townsend, K3EOF, Penndel, Pa.; and last but not least, Ed Tilton, W1HDQ, Canton, Conn.

The clubs represented were; Ivy Ridge; York Road; Phil-Mont; Mobile Sixers; Bucks County; Mahanoy Valley Brass Pounders; North Penn; S.J.R.A.; W.E.N.S.; Penn-Jersey YL's and, last but not least, Reading Radio Club.

We saved the Reading Radio Club for last as they had a delegation of 9, including their president, W3EYN, Stew Ringler.

If I have omitted any other club, I apologize. I was only going by the guest list and clubs that I know they represent.

We hope that we have made all of you welcome, and that you will return to a future meeting.

Membership Committee: Harry, W3CL, announced that we had two members for membership, K3RCV, John Boyle, and K3UCK, Don Epand. A vote was taken, and they were accepted. (Information on last page.)

QSO Party; Frankie, W3SAD, announced that a meeting of captains is called for May 17 at his QTH. He also expressed the committees' thanks to the York Road Radio Club for the loan of their tents. The location will be at the QTH of Warren, W3CKP, in Doylestown, Pa, using the club call, W3CCX. We will be on 144.2, 50.2, 221.4, 432.3 and 1296.2

Nomination Committee: Ed, W3HKZ, presented the slate, recommended by the committee, which is as follows;

President; Bert Soltoff, K3IUU; Bill McCutcheon, K3HWZ

Vice-President; Dave Zimmerman, W3LHF; Bob Fox, W3GXB

Treasurer; Dave Bloch, W3MVF; George Keyser, K3ALK

Recording Secretary; Ray Whitehead, W3ZRR; Elliott Weisman, K3JJZ

Corresponding Secretary; Jo Kilgore, W2EIF

Directors; John Power, W2AXU; Horace Deacon, W3AJF; Charles Lustick, K3HSS and Bill Miller, W3OZP (Vote for two)

Nominations from the floor were called for, but none were presented.

Council notes; Al, K3LBT, announced that we had committed ourselves to pro-communications at the Wissahickon Horse Show; presented by the Germantown Optimist Club, on Sunday, May 20. Ed, W3HKZ, as chairman, asked for three more volunteers as it would be an 11 hour chore.

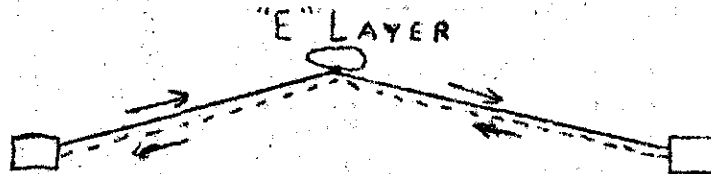
Al, W3ZRQ, S.C.M., E. Pa., and Emmet, W3DUI, SEC, enjoyed meeting all of the members and visitors. Emmet, W3DUI, the S.E.C. received a number of ideas on how to revise the A.R.E.C. set-up in Phila. from the A.R.E.C. members. Changes will be made.

Jack, W2AXU, then introduced the speaker of the evening; Ed Tilton, W1HDQ, V.H.F. Editor QST. His topic; "DX WITHOUT SUN SPOTS".

(Editors' Note: Ed's talk was so interesting that Frankie forgot to take notes. The following is what I remember. Aside to Ed; If I have loused-up your talk revoke Frankie's license, as I have none. Thanks for "them thar kind words regarding "Cheese Bits".)

Ed showed three slides on sun-spots. One was a graph noting sun-spot cycles from 1749 to 1958. Someone figured that sun-spots occur, approximately, every 11 years. Actually they occur anywhere from 9 to 11 years. The last greatest one was in 1958. The first greatest one recorded was in 1777, but the hams had to stay off of the air because of the Revolutionary War. (Hey! Don't throw that converter at me; Ed said it.) He pointed out that quite a bit of DX can be worked on the "up" and "down" side of the sun-spot peaks; some even in the pit. Antenna heighth is not of importance. Most of the DX worked must be done on CW, but occasionally some can be done on phone.

Another thing he said is that they have discovered is that the theory of backscatter (I still say that word should be "scatterback". When you drop a glass of water on the floor, you don't say, "It back splashed on me."; you say, "It splashed back on me.") is different from what they previously figured. Instead of its occurring when the signal hits "E" layer, it occurs when it hits a given point on the down side, rising up again to the "E" layer, and back to the point of origin. Such as; (My interpretation)



SIG. ORIGIN

SCATTER

Ed told about an experiment that his club made on pulse signals at 23,000 mc. The receiver was set-up in the club house (on a hill) about 6 miles outside of Hartford, and the transmitter on another hill about 7 miles on the other side of Hartford. The transmitter & receiver antennas were pointed downward toward the center of Hartford, so as to bounce the signals, rather than straight-line transmission and reception. Ed used his 2 meter rig in the car to give the signal to start transmission. He said, all was quiet, including the receiver. All of a sudden the pulse signal came through, so loud that he could hear it in his car outside the club building. I believe he did say that the results of the experiment would be written up in a future issue of QST.

The question and answer period had to be cut short, due to the time element, but Ed was swamped with individual questions during the refreshment period.

I asked Ed, that since they are using pulse signals on 23,000 mc, and the doctor said my pulse was perfect, could I get a license without taking the code. He said, he didn't think so. Soooo... I asked Joe Welsh, of the F.C.C., and he said that under 35,000 mc I had to take the code. Ain't they nasty? Hi, hi.

Our visitor from Arlington, Va, Glenn Obercrombie, W4VCC, told us that the Navy Station, K4NAA, would be on for amateur contacts, June 12, 13, 14 & 15. They will be transmitting on 2 & 6 meters and QSL cards will be sent to all who make contact with them. Take a look for K4NAA on those dates in June.

\*\*\*\*\*

WHAT HAPPENS

BUCKS COUNTY AMATEUR RADIO CLUB held an election with the following results:  
 President; Heddy Grant, K3GSV  
 Vice-Pres.; Dave Holler, K3HNP  
 Cor. Sec.; Alan Crump, W3FVA  
 Rec. Sec.; Bernie Hartz, W3EQM  
 Treasurer; Fenton Glazier, K3IDK

We offer our congratulations to each of you and wish you a successful year.

\*\*\*\*\*

Aside to George, W2BLV, "News & Libel" editor of S.J.R.A. "Harmonics" -- You goofed again -- As you can see in the above, Dave, K3HNP, is the Vice-Pres. and not the Pres. of Bucks County as you reported in your column.

\*\*\*\*\*

Jim, W3SMK, reports that his XYL, Sally, is coming along well. Slow, but sure after her operation.

We offer our apologies to the father-in-law of Dan, K3GAY, for omitting his name and call as a visitor to our meetings. We will acknowledge him now; W3NIV, Ray from Bethlehem, Pa.

\*\*\*\*\*

George, K3KMN, reports that his Harmonic, Linda, is coming along just fine. She has been transferred to the Childrens' Hospital in Phila.

\*\*\*\*\*

Ben, K3ESL, would like to know if Frankie has a plumbers license?

\*\*\*\*\*

We understand that Edith, XYL, of K3ESL is not doing at all well with a strep throat. You were very foolish to get out of bed for "Ladies' Nite". Gift or no gift, I would not have done it. Hope by now you are feeling better and will follow doctor's instructions.

Ask Sid, W3GEW, what happened when he put the car in the garage? Crunch, crunch. He forgot that he put a halo on it.

\*\*\*\*\*

Our good friend and senior member, Ralph, K3CIV, is doing so-so. Why not drop him a card of cheer, pay him a visit or give him a call on the land-line?

\*\*\*\*\*

Frankie, W3SAD, now has his beams up on the roof. Thanks to Doc, K3GAS; Ben, K3ESL; Dave, K3BPK; Al, K3LBT and George, K3ALK. K3JJZ missed another one. The only trouble now is the locals tell him that they won't talk to him on 220 unless he removes tubes from the transmitter. Hi, hi.

\*\*\*\*\*

Al, K3LBT, says that Anna, his XYL, is coming along well.

\*\*\*\*\*

The funny thing that happened, after the fellows left here from the antenna raising, and Frankie made the inside connections, was that he told me that his SWR was way down. I asked him if he was sure that he had the right coax connections. (One time he did cross the two meter beam with the six meter beam.) It wasn't long until he came down and said to me, "Why don't you get a license?" I asked what I did right, and he said that the coax connection to the SWR meter was not tight. (I did tell him to be sure that the connections were tight) Who needs a license for that? That is just simple deduction.

\*\*\*\*\*

Hey Herm, K3GDZ, won't you let "Bingo Betty" sit in the front seat with you if she loses?

\*\*\*\*\*

Ben, K3ESL, now knows what it means to have your beam stuck in one position.

\*\*\*\*\*

We are happy to hear that the latest harmonic of Harvey, K3BGT, and his XYL, Vicky, is coming along fine now.

\*\*\*\*\*

What has happened to Al, K3EOD; Al, K3BEF; Ben K3BVZ; Lee, W2KFC; John, K2SMZ. No hear on any net. No longer interested, boys?

\*\*\*\*\*

HEY, Ed. W3CFS, I thought you were to be at our house for the QSO Party meeting. Couldn't you find the place? I told you to take U.S. 1 and the Roosevelt Expressway to Ninth Street, turn left and stop when you hit the dead end. If your brakes don't work the house will stop you.

\*\*\*\*\*



---

### ARRL BULLETINS

OFFICIAL BULLETIN NR 846 FROM ARRL HDQ.  
MAY 4, 1962

TO ALL RADIO AMATEURS BT

The FCC, at the request of ARRL, has published a Notice of Proposed Rule Making, Docket 14610, looking toward the removal of the 50 watt input power limit on 420-450 Mc. except in some areas of the southern U.S. Comments may be filed with FCC through June 15. Full details will be in the June issue of QST.

AR

\*\*\*\*\*

OFFICIAL BULLETIN NR. 847 FROM ARRL HDQ  
MAY 12, 1962

TO ALL RADIO AMATEURS BT

Herbert Hoover, Jr., K6ZH/W6ZH of San Marino, an engineer who served the nation as Under Secretary of State from 1954 until 1957, was unanimously elected as President of ARRL at the conclusion of the annual meeting of the ARRL Board. Goodwin L. Dosland, WØTSN, ten years ARRL President, and with 25 years service on the Board, declined the nomination and was made President Emeritus.

The Board reviewed the status of all amateur matters before FCC and voted that ARRL oppose any fees for filing amateur applications, also voted that ARRL urge affirmative action on the rule making to increase the authorized power permitted on 420 Mc to 1000 watts and that the League follow its request for enlarged 160 meter privileges closely.

The Board rescinded its action of last year requesting U.S. amateurs to avoid the use of the high end of 20 meters. Further study of ways to assist 20 meter operating conditions was referred to committee. The planning committee was asked to examine the question of

some of the ten meter band for Technicians. (Ed told us at the meeting that this request was turned down.)

General Manager Huntoon was directed to attend the dedication of the amateur station at the headquarters of the ITU at Geneva this June. The Board authorized the publication of a ten year QST index, availability to be noted in QST late this year, also publication at a later date of a VHF Handbook. Also approved was a plan for advantageous revision of the Leagues pension system to embrace a group plan rather than individual insurance policies.

Director Noel B. Eaton, VE3CJ, was elected to the Leagues Executive Committee and Directors Denniston, WØNW, Doyle, W9GPI and Kahn, W2KR were returned to that committee.

Housing and Finance Committee reports were received and the Housing Committee continued. The Board approved acceptance of bids from the lowest bidder, reviewing the financing and plans for construction of the new office building on the WIAW site so this could go forward immediately. About one year will be required for construction. At the conclusion of the Board meeting all Officers and Directors took part in the ground breaking ceremonies for the new headquarters.

Highlights of the meeting will appear in June QST and the full minutes in the July QST.

AR

\*\*\*\*\*

THE NATIONAL CAPITOL VHF SOCIETY advises us that they will have a station on for the VHF QSO Party, June 9-10. They will be located in the Amusement Park in Marshall Hall, Charles County, Maryland.

The station will be using the call, K3LUK and operating on 50.4, 145.2 and 29.1.

Give a listen for them.

They are holding their second annual Hamfest on Sunday, May 27, at Marshall Hall Amusement Park. Registration is \$1.00. Call in frequencies; 50.4 and 145.1.

South from Washington; South Capitol Street, Indian Head Highway to Bryans Road - Right to Marshall Hall Park.

The Rebel Net is also holding a Hamfest on Sunday, June 3 at the same place.

\*\*\*\*\*

A NOTE FROM W.W.(POP) WARNER, K8RSC,

member of A.R.E.A., saying he hopes to contact some of the members one of these days. He operates on 1 1/2 (220 to the other "stupes" like myself) 2 and 6 meters. He uses all Gonset equipment with good antenna. He feels sure he should be able to make contact into E. Pa. He lives in Kent, Ohio. Listen for him during an opening.

THE BUCKS COUNTY AMATEUR RADIO CLUB is holding its SPRING ROUNDUP on SUNDAY, JUNE 3, at BOWMAN'S HILL, WASHINGTON'S CROSSING, PA. in the COL. GLOVER PAVILION.  
NO CHARGE. FREE FOOD.

Any of the gang attending and wishing to partake of the free food, must contact HEDDY GRANT, K3GSV, ST. 8-6827

\*\*\*\*\*

Our thanks to DAVE HELLER, K3HNP, for the nice write-up in the May issue of S.J.R.A. HARMONICS, in his article "6 M OPERATION"

One thing you forgot to mention is that the S.J.R.A. net and the Pack Rats net are both run at the same hour, 2100. Pack Rats on 50.2 and S.J.R.A. on 50.4. Both nets are handled in such a fashion that one does not interfere with the other.

\*\*\*\*\*

OUR PERMIT FOR THE PICNIC READS AS FOLLOWS: (A post card)

We are glad to extend your club the privilege of holding your picnic in the Flourtown Area of Fort Washington State Park. Your group has always been an interesting one. We will have things in order.

B.D. Earhart,  
Superintendent.

\*\*\*\*\*

# COMING EVENTS

- JUNE 3 "REBEL NET HAMFEST" at MARSHALL HALL AMUSEMENT PARK. (See directions in opposite column.)
- BUCKS COUNTY SPRING ROUNDUP (See above notice for details.)
- 6 QSO PARTY CAPTAINS MEETING, QTH, W3SAO
- 13 DIRECTORS MEETING
- 17 E. PA. SECTION PICNIC, HERSHEY PARK, HERSHEY, PA. \$1.00 PER CALL. ALL INVITED.
- 20 REGULAR MEETING. SPEAKER: W3DHJ (DOUBLE HEADED JONES) MELVIN JONES, OF THE PHILMONT MOBILE RADIO CLUB. TOPIC: "HAMMING IN VIETNAM" WITH COLOR SLIDES.
- 23 & 24 ARRL FIELD DAY
- 9 ARRL VHF QSO PARTY. (I goofed, not in sequence)
- JULY 18. OUTDOOR MEETING, QTH, W3LHF, DAVE ZIMMERMAN, JOHN'SVILLE, PA.
- AUGUST 12 PACK RATS PICNIC (See flyer)

LATE BULLETIN FROM ARRL HEADQUARTERS

OFFICIAL BULLETIN NR 848 FROM ARRL HDQ  
MAY 21, 1962

TO ALL RADIO AMATEURS BT

All Radio amateurs will be interested in the following statement by the new President of ARRL.

One of the greatest honors that can come to any radio amateur is to be asked to serve as President of the American Radio Relay League. I most deeply appreciate your invitation to do so.

Amateur Radio has had a unique history of public service. Since its earliest days, almost half a century ago, it has contributed a steady stream of breakthroughs in radio communications, many of them of major significance. It has furnished untold thousands of key personnel to our armed services in times of national emergency. It has helped immeasurably in periods of local disaster to save lives and alleviate suffering. And it has made many other contributions toward the public welfare, always on a voluntary basis without financial reward of any sort. It is a record of which we may all be proud.

The future will bring many interesting challenges to amateur radio, and undoubtedly many difficult problems, too. But I am confident we can meet them successfully if we will continue to dedicate ourselves in the future, as we have in the past, to the ideal of performing a real and useful public service.

(signed)

Herbert Hoover, Jr., W6ZH

AR

\*\*\*\*\*

WISSAHICKON HORSE SHOW

The following members provided communications at strategic points on Sunday, May 20 for the horse show sponsored by the Germantown Optimists' Club; Doc, K3GAS; Al, K3LBT; George, K3ALK; Ben, K3ESL; El, K3JJZ and the chairman, Ed, W3HKZ.

The officials were very satisfied by the service performed. They stated that because of the radio coverage, it was the first time that the show was completed at an early hour.

\*\*\*\*\*

W2AXU, Jack, our President, received an invitation to attend the dedication of the radio station at the Franklin Institute on Saturday, May 19. Due to being ordered to Bermuda, through work, he was unable to attend.

This station was completely equipped, free of charge, by Collins Radio Co., and is under the supervision of the Phil-Mont Mobile Radio Club.

Phil-Mont also conducts a code and theory class for the children of the members of Franklin Institute each

Saturday at 2:00 P.M.

\*\*\*\*\*

SOME MORE "WHAT HAPPENS"

We wish a speedy recovery to the mother of Ossie, W3FSG, who is in the hospital in Conn., suffering from a slight stroke.

We extend our sincere sympathy to Russ, W3ZEY, upon the passing of his father on Friday May 4.

Since we have had no report from Howard K3EPB, we can assume the XYL, Emily, is progressing nicely.

We hope that Florence, the XYL of Lyn, W3QAS, and mother of Lyn, Jr., W3NSI, is better now.

Congratulations to Earl, K3HJA, and Betty, XYL, on their 12th anniversary, April 29.

We have been asked to look for W3EQ, the Havertown Club, on 2 and 6 on Field Day, June 23 & 24.

Found out at the May meeting, that I am not the only one who gets children's diseases. George Ryan, K2DEI, said that he and his XYL just got over the mumps.

Glad to hear that the brother-in-law of Harry, W3CL, is progressing nicely after his operation.

I would like to thank all who sent me cards and inquired about my health while I was sick.

\*\*\*\*\*

Excuse me, but I just have to let off steam. Just discovered that someone decided that they wanted an azalea bush and came down and dug out one of ours. That is guts! They knew it was not growing wild, as there are two more, two maple trees and a vegetable patch, besides being fenced-in. It was no kid, because a kid would have dug at random and destroyed the other plants. Sure the property belongs to the National Biscuit Co., but we pay public liability insurance on it for the use of it. And there is such a stink about juvenile delinquency! This was downright adult petty theivery! How do you expect the kids to do right when their parents don't know how to behave?

\*\*\*\*\*

FILL-IN

Just to prove that the editors of the large newspapers do not always criticize, we clipped the following from the editorial page of the Phila., Inquirer of Monday, May 21.

"AROUND and AROUND WE GO"

When you pull the plug in the bathtub, which way does the water turn going down the drain?

This question apparently has the British in a scientific flip. Sir Miles Thomas, former chairman of the British Overseas Airways Corp., started it with a letter to the London Sunday

Times. Now everybody is watching the whirlpools.

There's a scientific principle involved, called the Coriolis force, which supposedly makes whirlpools and cyclones turn counter-clockwise in the northern hemisphere, clockwise in the southern. But there is also a school of thought that contends - as far as drains are concerned - that it depends on how you pull the plug out or which way the pipe is bent down underneath there.

But ALL drains start with a straight-down drop, don't they?

Anyway, we're neutral. A quick survey of Inquirer wash-basins reveals whirlpools going in both directions - and some drains with no spirit at all, just gulping down the water helter-skelter with no whirlpools to be seen.

Science Marches On!

\*\*\*\*\*

LATE-LATE SWAP & SHOPPE ITEM

FOR SALE: 1 Spaulding 40' tower in 5 - 8' sections. Complete with hardware.

Make offer.

CONTACT: K3KVS, Jerry Polin  
7758 - B, Wagner Way  
Elkins Park, 17, Pa.  
215 - TU. 4-4163

\*\*\*\*\*

By the way, have you heard our squeaky rat, W3CL, Harry, the last couple of days. Did the lemon and pineapple juice help any?

\*\*\*\*\*

After a four day delay, Ken, W3CPT and Jack, W2AXU finally got off to Bermuda. Plane trouble first and then radio gear trouble delayed them.

\*\*\*\*\*

John, W3AYG, has a surprise for all you fellows. Just wait and see.

\*\*\*\*\*

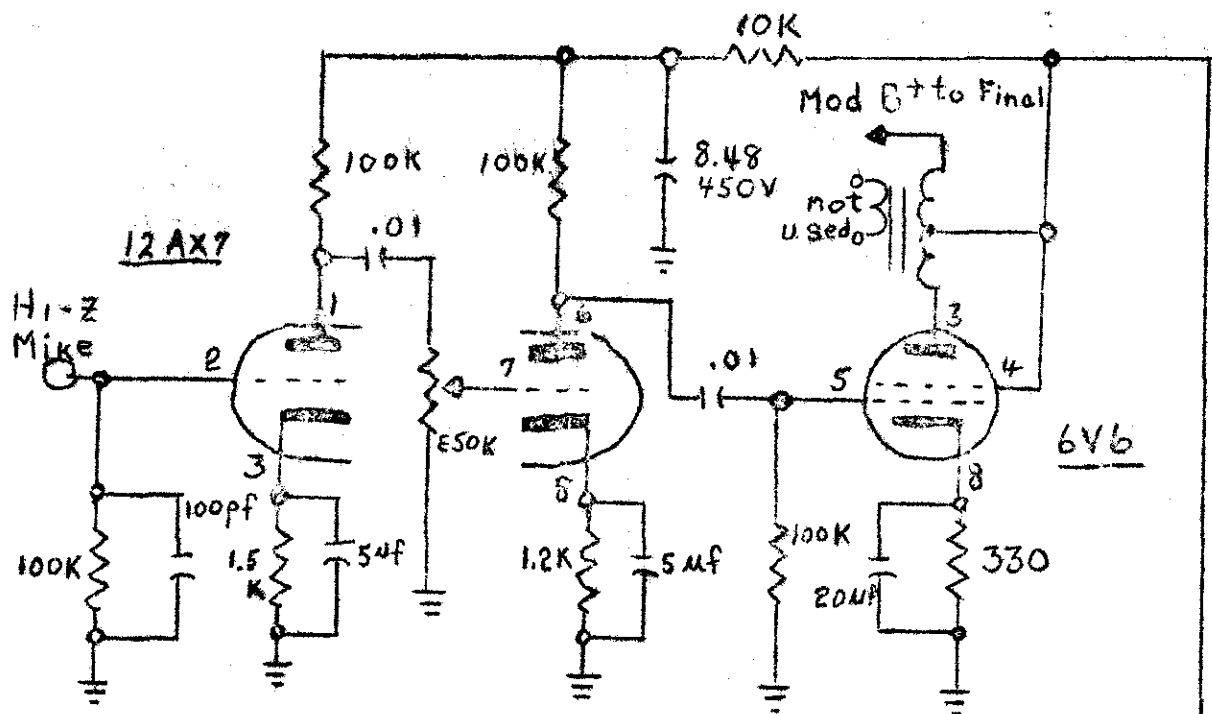
ELECTION NOTICE

At the meeting of June 20 an election of Officers for 1962-1963 will be held.

To the very few of you who have not as yet paid your dues, remember, in order to vote they must be paid on or before the meeting night.

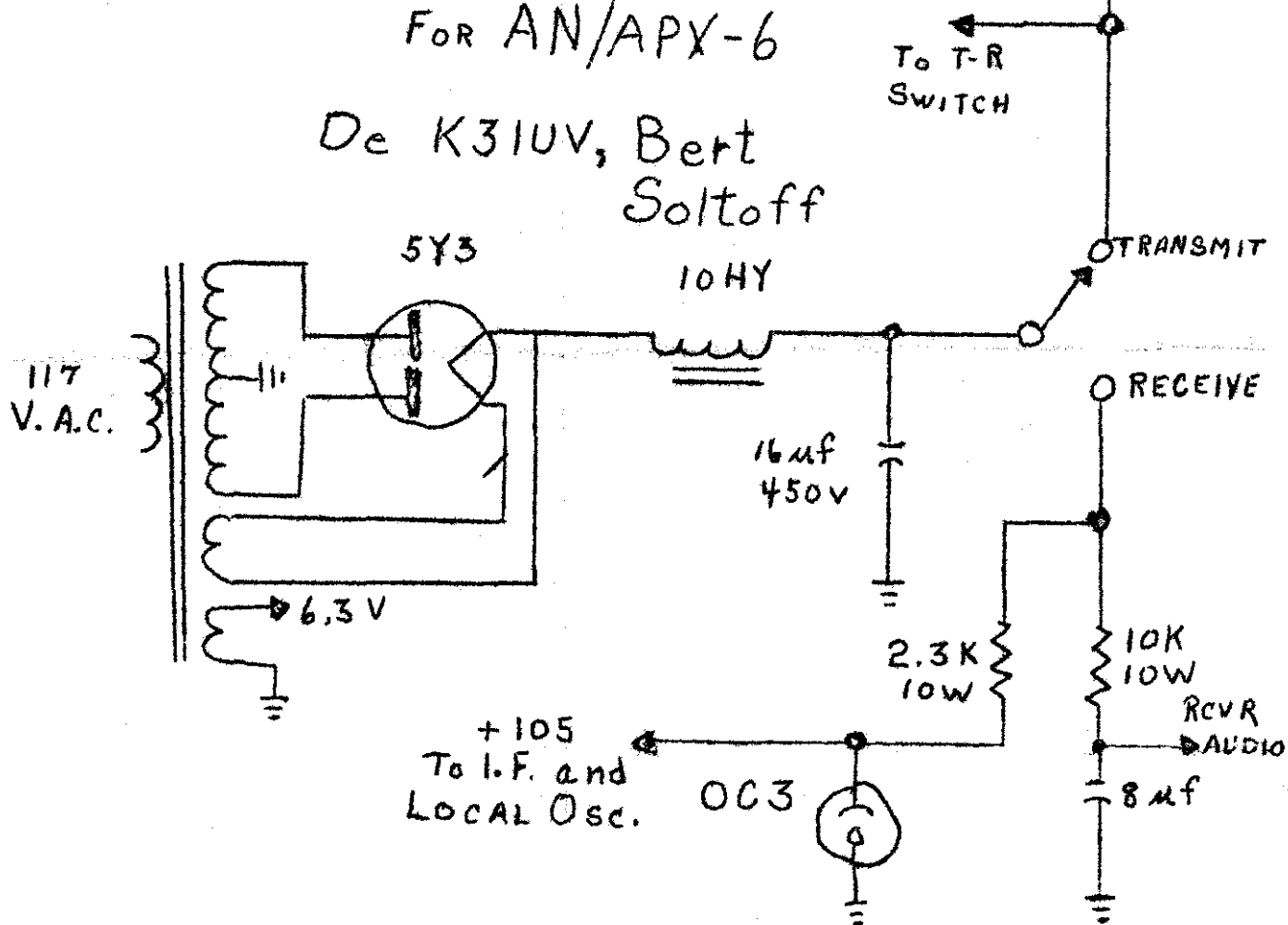
*Congratulations  
to Ruth Ann Kenas,  
Harmonic of Ernie K3KKM,  
and Bert K3TNP,  
upon her graduation  
from High School on  
June 13th.*

---



POWER SUPPLY and MODULATOR  
FOR AN/APX-6

De K3IUU, Bert  
Soltoff



\*\*\*\*\*

1296

If you have been listening on the VHF bands lately, you may have heard some talk about operating on the 1215 to 1300 mc band. Several of the club members have modified surplus equipment to operate in the band. The AN/APX - 6 is a surplus transponder (?) unit which was originally used for IFF service. This unit can be readily converted into a transceiver for the 1215 - 1300 mc band. The units are now available on the east coast at US #1 Electronics. Conversion information appeared in the Sept. 1960 issue of QST. This article furnishes all info needed to convert the APX-6 with the exception of the power supply and modulator. The schematic shown here is a suitable power supply and modulator. The power transformer can be an old TV set relic that delivers 360 to 400 V either side of centertap, and the modulation transformer is a centertapped audio output transformer. (From same old TV set, or old radio). Transmitter B+ should be about 300 volts, and the final plate current about 50 MA.

Gud luck, and see you on 1296. Bert, K3IUU



COME TO THE  
 ONE PACK RATS  
 COME FAMILY DAY  
 ALL! AND  
 PICNIC!

SUNDAY, AUGUST, 12, 1962  
 (RAIN DATE:-AUGUST, 19)

FORT WASHINGTON STATE  
 PARK, FLOURTOWN, PENNA.

\*\*\*\*\*

MT. AIRY V.H.F. RADIO CLUB, INC., PHILA., PA.

GAMES FOR ALL!!      FUN FOR ALL!!      EYEBALL QSO's!!      FREE PEPSI!!  
PRIZES FOR KIDS, XYL's, YL's, HAMS!!  
ALL FOR \$1.00 PER FAMILY!!  
BRING YOUR FOOD!!

TALK-IN FREQUENCIES: 50.2 and 144.2!!      CALL: W3CCX!!

\*\*\*\*\*

DIRECTIONS

USING THE PENNSYLVANIA TURNPIKE: GET OFF AT FORT WASHINGTON INTERCHANGE,  
TURN LEFT AND FOLLOW THE RAT SIGNS.

COMING SOUTH ON ROUTE 309: TURN OFF AT THE AMBLER SIGN AND FOLLOW THE RAT  
SIGNS.

USING THE TACONY-PALMYRA BRIDGE: FOLLOW ROUTE 73 TO BETHLEHEM PIKE, TURN  
LEFT AND FOLLOW THE RAT SIGNS.

USING BROAD STREET, NORTH: TURN LEFT AT STENTON AVENUE. STAY ON STENTON  
(PHILADELPHIA) AVENUE TO BETHLEHEM PIKE, TURN RIGHT AND FOLLOW  
(HOT SHOPPE, S.W. CORNER) THE RAT SIGNS.

USING BROAD STREET, SOUTH: TURN RIGHT INSTEAD OF LEFT.

COMING FROM NORTH EAST PHILADELPHIA: FOLLOW SAME DIRECTIONS AS FOR THE  
TACONY-PALMYRA BRIDGE.

USING ROUTE 422 (GERMANTOWN AVENUE): TURN AT BETHLEHEM PIKE AND FOLLOW THE  
RAT SIGNS.

NOTE: WITH THE EXCEPTION OF THE AMBLER TURN-OFF, SIGNS WILL BE POSTED AT ALL  
TURNS.

\*\*\*\*\*

NOTE: SINCE THIS IS A STATE PARK ALCOHOLIC BEVERAGES ARE PROHIBITED!!!!!!

PLEASE ABIDE BY THE RULES!!!!

\*\*\*\*\*

ALL MONEY WILL BE COLLECTED AT THE PARK, NO ADVANCE RESERVATIONS!!!!

\*\*\*\*\*



MEETING NOTICES

JUNE 6

MEETING OF THE CAPTAINS FOR THE ARRL VHF QSO PARTY

A final meeting of the Captains and their assistants for the ARRL VHF QSO Party, June 9 & 10, has been called for Wednesday Night, June 6, at the QTH of the Chairman, W3SAO, Frankie Brick, 829 W. Fishers Avenue, Phila., Pa., at 8:00 P.M. Anyone not able to make it, please call ahead of time. DA. 4-7524.

JUNE 13

BOARD OF DIRECTORS

The Board of Directors Meeting will be held at the QTH of W3HKZ, Ed Kushner, 148 Stoneway Lane, Bala-Cynwyd, Pa. on Wednesday, June 13, at 8:00 P.M. If for any reason you are unable to make it, PLEASE call 215- MO. 4-4353

JUNE 20

GENERAL MEETING

The General Meeting of the club will be held on Wednesday, June 20, at 8:00 P.M. at the West Oak Lane Jewish Community Center, Sedgwick & Thouron Streets, Mt. Airy, Phila., Pa.

The speaker of the evening will be: W3DHJ, (Double Headed Jones), Lt. Col. Melvin Jones, of the Phil-Mont Mobile Radio Club.

His topic will be: "Hamming In Vietnam" along with color slides.

Election of Officers for the year 1962-1963 will be held. Be sure your dues are paid to be eligible to vote.

\*\*\*\*\*

FOR YOUR MEMBERSHIP BOOK

NEW MEMBER

K3RCV, JOHN (JACK) BOYLE, XYL, JEAN  
215 Ash Road,  
Garden City,  
Chester, Penna.  
215 - TR. 4-7428

NEW MEMBER

K3UCK, DONALD EPAND  
39 Parkway Court,  
Allentown, Penna.  
215 - EX. 5-9646

W3NKO's PHONE NUMBER:

215 - EL. 7-3146

WILLOW GROVE, PA.  
2823 Old Welsh Rd.  
WAKEN Ernest Kenas

MAY 24 1962

PHILA. 41, PA.  
829 W. FISHERS AVE.  
"PACK RATS CHEESE BITS"



**GOLDEN  
ANNIVERSARY  
OF AMATEUR  
RADIO  
1912-1962**