

PACK RATS'



PACK RATS

CLUB CALL: W3CCX

MT. AIRY VHF RADIO CLUB, INC.

# CHEESE BITS



MT. AIRY V.H.F. RADIO CLUB, INC., PHILADELPHIA, PENNSYLVANIA (ARNS)  
(50.2, 145.2, 221.4, 432.03 & 1296.3 Mhz) Repeater 222.98/224.58  
AFFILIATED CLUB: AMERICAN RADIO RELAY LEAGUE  
MEETINGS: THIRD THURSDAY OF EACH MONTH AT 8:00 P.M.  
SOUTHAMPTON FREE LIBRARY, 947 E. STREET ROAD  
SOUTHAMPTON, PENNSYLVANIA

VOLUME XVI

AUGUST, 1974

NUMBER 8

## THE PREZ SEZ

Don (CJU) was right! The hardest part about being president of the Pack-Rats is writing this column. However, in the true spirit of all my predecessors, the "Prez Sez" column marches ON!

I am pleased to announce that Tony (His Majesties Underwear) has accepted the position of Program Chairman for the fiscal year 1975. Tony would appreciate any suggestions you may have for future club meetings. Also, Bert, K3IUUV, will be the official club Parliamentarian and Sergeant at Arms (Bouncer!) Bad guys take heed!

The next big club event is our annual Family Day and Picnic on August 11. Dick, K3IGX, is chairman of the picnic committee and hopes to see everybody out with the wife and kiddies for a fun day in the shade.

Anyone who missed the auction at Zimmerman's Glen should have their 807's boiled in transformer oil! "Our good friend Dave" (SIC,) and "Evel" EI did a great job moving all that fine equipment. I understand Dave's trashman is also moving! All kidding aside a really great auction. Thanks to all those who helped make it happen.

And for all those cryptophiles out there in radio land you have not been forgotten!

QXF'A FBA-OBEW! EXNU AX AKU OBE-FBE!

-TFXF

73

Ron WA3AXV

PACK RATS' CHEESE BITS IS A PUBLICATION OF THE MT. AIRY V.H.F. RADIO CLUB, INC. PHILADELPHIA, PA. AND IS PUBLISHED MONTHLY.

10¢ PER COPY \$1.00 PER YEAR

WE OPERATE ON AN EXCHANGE BASIS WITH OTHER PUBLICATIONS AND ANYTHING THAT IS PRINTED IN CHEESE BITS MAY BE REPRINTED, UNLESS SO STATED, AS LONG AS THE PROPER CREDIT IS GIVEN.

\*\*\*\*\*

SWAP SHOP ITEMS - NO CHARGE

DEADLINE FOR ARTICLES IS THE GENERAL MEMBERSHIP MEETING.

EDITOR:

W3CL, HARRY B. STEIN  
2087 PARKDALE AVENUE  
GLENSIDE, PA. 19038  
215 TU 7-5052

PUBLISHER AND SUBSCRIPTION MANAGER:

K3GAS, DOC CUTLER  
7815 NEW SECOND STREET  
ELKINS PARK, PA. 19117  
215 ME 5-1078

PRINTER:

K3ZKO, RON COHEN  
915 ROWLAND AVENUE  
CHELTENHAM, PA. 19012  
215 ES 9-5338

TRUSTEE OF CLUB CALLS: W3CCX - WR3ACD:

W3SAO, FRANCIS BRICK  
821 W. LINDLEY AVENUE  
PHILADELPHIA, PA. 19141  
215 DA 4-7524

AWARDS CHAIRMAN:

W2EIF, JOSEPH KILGORE  
#5 SUNNYBROOK COURT  
STRATFORD, N.J. 08084  
609 - 783-9478

CLUB HISTORIAN:

W3SAO, FRANCIS BRICK

TYPIST:

W3TEM, MARSHA STEIN

OFFICERS: 1974-1975

PRESIDENT: WA3AXV, RON WHITSEL  
VICE. PRES.: W3HMU, TONY SOUSA  
CORRES. SEC. K3KTY, JOHN TATE  
REC. SEC.: WA3JWF, CARL MATTIACE  
TREASURER: K3GAS, DOC CUTLER

DIRECTORS:

W3FQD, DICK HUNTZINGER  
K3ACR, RICH PATTISON  
WA3JUF, DAVE MASCARO  
K3KMN, GEORGE GAKOUMIS  
W3YXF, JOE RUSHTON

DIRECTORS' MEETINGS ARE HELD ON THE SECOND WEDNESDAY OF EACH MONTH AT DESIGNATED LOCATIONS.

MONDAY NIGHT NETS: NET CONTROL

145.2 - 7:30 P.M. W2EIF  
50.2 - 8:30 P.M. W3CL/K3ACR  
221.4 - 9:00 P.M. K3GAS  
432.03 - 9:30 P.M. K3IUU  
1296.3 - 10:00 P.M. W3HMU


FRIDAY NIGHT ATV NET: NET CONTROL

439.250 - 7:00 P.M. K3ZKO/WA3AXV

PACK-RAT REPEATER - WR3ACD

222.98/224.58

EDITOR/PUBLISHER




Amateur Television Magazine  
P.O. Box 6512, Phila., Pa. 19138

Ronald Cohen K3ZKO

**J.C. R/C HOBBIES** 659-9773

Hours:  
Mon. & Sat. 10:00 - 5:00  
Tues. thru Fri. 10:00 - 9:00



**MINIATURE FLYING MODELS**  
Radio Control Equipment & Supplies  
Crafts for All Ages  
BOATS, TRAINS, CARS & PLANES

23 EASTON ROAD  
Willow Grove, Pa. 19090

JERRY COWAN  
Owner

CALENDAR OF COMING EVENTS

Syllabus by Lee, K3MXM (in absentia)

AUGUST

- 11 Pack-Rat Family Day and Picnic, - Ft. Washington State Park, Flourtown, Pa. Chairman Dick Boyle, K3IGX and his committee have arranged for a fun filled day in the country with the family and especially the children and grandchildren. Many new games and surprises in store. Real good door prizes for the ladies as well as the OM's. No Flea Market or selling. This is reserved for our Hamarama on October 6, 1974.
- 14 Board of Directors Meeting - QTH, WA2MWB Carl Barish, 211 Millbridge Apt Clementon, N.J. Phone 609-627-4855. Carl sez - Please don't park in a numbered spot. W3CL has maps for directions. Directors and interested parties invited.
- 15 General Club Meeting - Nostalgia Nite - Outdoor meeting at QTH of Doc Cutler, K3GAS, 7815 New Second St., Elkins Park, Pa. Phone - 215-635-1078. Slides, films and pictures taken from the Pack-Rats archives. See the changes over the years and enjoy the lively commentary by our unmatched narrator W3CL. Always a pleasant evening. Naturally it is a must for the wives and YL's to come along. Refreshments will be served.
- 18 Eastern Pennsylvania Section Picnic - Al Breiner, W3ZRQ the SCM has obtained Heislars Grove - 5 miles west of Tamaqua. Plan a basket lunch. Talk-in 3917KHZ.
- 18 Space Net Minifest at the QTH of Tony, WB2MTU, Sicklerville, New Jersey.

SEPT.

- 8 South Jersey Radio Association.- Picnic and Hamfest, Moila Farms, Malaga, N.J. W3CL has advance registration forms.
- 11 Board of Directors Meeting - QTH, W3SA0, Frankie Brick.
- 19 Last Outdoor Meeting of the Year - The White Elephant Sale - QTH, W3YXF, Joe Rushton, Lansdale, Pa.
- 24 BARCC Directors Meeting at the site of the 1976 ARRL Atlantic Division Convention. The Ben Franklin Hotel, Philadelphia, Pa.

OCTOBER

- 6 Pack-Rat Hamarama - Bucks County Drive-in Theater. Above County Line Road - Rte. 611, Warrington, Pa. Volunteers, please get in touch with the Chairman K3MXM, Lee A. Cohen - needs all the help he can get to make this event the greatest ever.

OFFICIAL BULLETIN NR 491 FROM ARRL HEADQUARTERS  
NEWINGTON CT JULY 11, 1974 TO ALL RADIO AMATEURS BT

The threat to the amateur 420-450 MHz band posed by the emergency medical radio service proposals in Docket 19880 has been overcome. During the rulemaking proceeding, ARRL filed a strong opposition to use of three 449 MHz frequencies for medical radio paging. An FCC News release dated July 8 announces creation of the Medical Services category in the Special Emergency Radio Services, but with all of the new frequencies being allocated coming from the existing mobile radio services blocks. The new category of service becomes effective August 15, 1974. AR

NEW PRODUCTS OF INTEREST TO HAMS

By Lynn, W3NSI

1. Heath Kit 10 Watt Amplifier - The HA 201 is a low power unit used to boost the 1 watt output of a handy talkie to ten watts. KIT PRICE \$25.95.
2. Model 6 UHF Counter - The Pagel 6 UHF is good from 10 hz to 500 mhz, using a 6 digit readout. Accuracy is .0001% and sensitivity runs from 100 to 200mv. Unit may be operated from 115 volt lines or from 12 VDC car batteries, in order to check frequencies of mobile rigs. PRICE \$495 67420 Tampa Ave., Reseda, Calif. 91335 (Pagel Elec.)
3. Aluminum Solder - ALU-SOL is the first core aluminum solder for use with normal soldering procedure. The flux residue is non-corrosive and non-conducting. The melting point is ~~445F~~ while the soldering temperature is 536 to 700 with little loss of parent metal temper. MULTICORE SOLDERS, Westbury, N.Y. 11590
4. General Coverage Receiver EK56 - Rohde & Schwarz, a W German company is now importing a very fine 10khz to 30mhz receiver. The unit is fully transistorized and may be used for CW, AM, SSB and FM reception. The IF width is switchable in 20 steps from 75hz to 60khz. Receiver has been advertised in QST for June 1974, but will be of interest to only a few hams, since the price is \$24,000 a copy.

VOTED TO MEMBERSHIP

K3MWV - Richard H. Pierce  
2803 Newportville Road  
Newportville, Pa. 19056  
(215) 788-1527 or (215) 943-7855

APPLICATION FOR MEMBERSHIP

NA3NDE -Hymen Ecksel  
9801 Haldeman Avenue (Apt. B201)  
Philadelphia, Pa. 19115  
(215) 677-7986

OFFICIAL BULLETIN NR 492 FROM ARRL HEADQUARTERS  
NEWINGTON CT JULY 18, 1974 TO ALL RADIO AMATEURS BT

FCC has proposed three more rules changes affecting the amateur service. Automatically controlled repeaters would be permitted under certain conditions to operate without a control operator present at a control point. The prohibition on crossband operation of repeaters would be deleted, as requested by ARRL in a petition filed in March. Provisions for the issuance of special short-term licenses to commemorative stations would be added to the rules. The usual fee schedule would apply for such special stations, and licenses would be issued only to Advanced and Extra Class licenses. Comment deadline of late October in each case provide time for study of the proposals. The complete texts will appear in an early issue of QST. AR

CHANGE of ADDRESS

WA3NEV Daniel L. Mitten XYL - Lucy  
108 Fernway Circle  
Norrstown, Penna. 19403 215-277-0972

A CRITIQUE ON THE NATIONAL  
By WA3OVH; Pete (BARCC Contest Chairman)

Seven members of Penn ARC and myself, accompanied by WA3PZO drove to the ARRL National Convention in NYC this past weekend. We arrived at 10:00 A.M. Friday morning staying through until Sunday at 5:00 P.M. It was a highly interesting and educational three day weekend. Many good and bad points were noted by our group and are enumerated below for your reference, followed by several recommendations.

All events as listed in the program appeared to be well done, major hangups were not apparent. It is obvious that the Waldorf-Astoria although one of the worlds finest hotels, is not well laid out for a large convention, with miles of carpeted stairways, plush endless corridors, poky elevators, and spotty air conditioning, all popping up in the wrong places. Our Ben Franklin for 1976 will be a much more practical and better suited facility.

Contest Area

Contests were badly neglected with none listed at all in the official program. This could well be a high point for our 1976 convention, as they have been in past years. A few contest recommendations are listed in Exhibit #1 at the end of this summary.

Seminars

Many interesting seminars were presented, all of which appeared to be well prepared by knowledgeable speakers, however, construction clinics appeared to be missing. Two or three at least would have proven interesting and informative. I would love to see an accomplished homebrewer take a schematic and demonstrate chassis layout, round and square hole punching, soldering etc. Or how about a clinic on soldering co-ax fittings - hardly anyone does it properly. Antenna construction is another. We could go on and on.

A listing of the forty odd seminars that were presented will be found in Exhibit #II.

Movies/Slides

Except for a private showing of these in one of the hospitality suites none were scheduled. These should be advertised for well ahead of time and set up in automatic self showing carrosselles. Meritorious movies could also be scheduled for appropriate time slots. Always a popular feature at conventions.

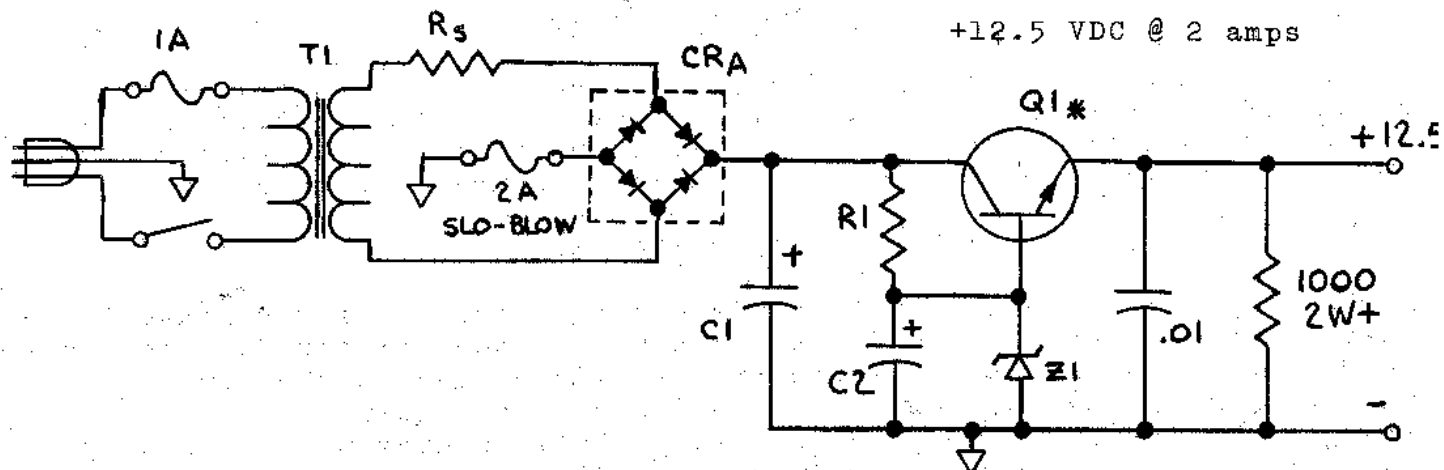
Program/Booklet

A glossy paper production with a misleading cover showing a non-existent hotel bearing no relation to the Waldorf - almost a dead ringer for the Ben Franklin in Philadelphia. Content of the program was as bad as the cover. Open hours of the major exhibits were not mentioned once. Consequently many of us (including me) got stranded Friday night with absolutely nothing to do and no way to contact several people we had planned on meeting. The existence of hospitality suites such as Murphy's Marauders, Long Island DX Assn. was likewise not mentioned. No phone numbers were listed for emergency, or even for just plain getting lost in the hotel. Many times it was practically impossible to figure out how to move expeditiously from seminar to seminar, but no one was stationed anywhere who could help.

Miscellaneous Items

1. Bulletin Boards strategically located in (hopefully) pairs, one for official releases, one for delegates personal items - would have been helpful.
2. Convention officials should wear distinctive armbands, not just lapel pins with ribbons as the latter are often impossible to spot.
3. Advance distribution of certain information, such as floor plans, etc. among key delegates should be attempted.
4. No attempt was made to attract young people. Perhaps a reduced rate with local advertising for Scouts in uniform would be appropriate.
5. Location of all meeting rooms should be clearly shown in the Program.
6. Alternate stairways and toilets should be well posted.
7. Parking and shipping arrangements should be published well in advance.
8. A sales pitch for our convention should be staged at the next National convention to attract the undecided. (Reston, Virginia?)
9. 34/94 special repeater on the roof of the Waldorf was a phenomenal success. Everyone who was anyone had an HT on his belt, and when you tested an exhibitors rig, you could hear your voice all over the hotel. HI. How 'bout it Philly? Perhaps we could do them one better with an operating station - all bands. Any volunteers?
10. New York City was like an oversize regional convention, so lacking in imagination and good old convention "hoopla" (Thanks to W3CL for the word!) that I hereby recommend that ARRL appoint a permanent national (volunteer) Convention Chairman to breathe a little continuity into ARRL sanctioned national conventions.

POWER SUPPLY SUITABLE FOR USE WITH FM-21



T1-24V, 2 amp (Radio Shack 273-1512)  
 CRA - 2 amp, 100 prv full wave bridge  
 C1 - 5000 uf, 50 wvdc  
 C2 - 1000 uf, 25 wvdc

R1 - 470 ohm 2 w+  
 Rs - 0.50 ohm 1 w+(may not be needed. Its your bridge!)  
 \*Q1 - 2N3055 or equal  
 Z1 - 14 v, 1 watt Zener

\*NOTE: Q1 must be mounted on a small heat sink. Chassis mounting would also be adequate.



WA3AXV  
 July 74

# MT. AIRY V.H.F. RADIO CLUB, INC.



AD  
MANAGER  
K3MMN

## ADS

<p>NE 7-6929</p> <p><b>GEORGE S. VAN DYKE, JR., P.E.</b> CONSULTING ENGINEER</p> <p><b>W3HK</b></p> <p>4607 CONVENT LANE PHILA., PA. 19114</p>	 <p><b>AMERICAN RADIO RELAY LEAGUE, Inc.</b> HARRY A. McCONAGHY, W3SW/W3EPC DIRECTOR, ATLANTIC DIVISION, ARRL</p> <p>"Confe-Mac"</p>
 <p><b>PHIL THEIS</b> Clegg Div. General Manager K3TUF</p> <p><b>ISC</b> 3050 Hempland Road Lancaster, Pennsylvania 17601</p> <p>TEL: (717) 299-3671 TELEX: 84-8438 CABLE: INTERSIG</p>	<p>215 707-5052</p> <p><b>HARRY B STEIN ASSOCIATES</b> COMMUNICATIONS CONSULTANTS</p> <p>HARRY B STEIN 2007 PARKDALE AVE GLENSIDE PA. 19038</p>
<p><b>ham radio</b> the most interesting amateur magazine: 1 Year \$7.00, 3 Years \$14.00 HAM RADIO MAGAZINE Glenview, N. H. 03048</p>	<p><b>A request from your AD Manager</b></p> <p><b>PATRONIZE OUR ADVERTISERS</b> Tell them you saw their ad in CHEESEBITS. Leave your QSL card with them. CHEESEBITS is one of the best read local radio club papers. Circulation - 300</p> <p><b>73 magazine</b> for radio amateurs PETERBOROUGH, NEW HAMPSHIRE 03458</p>

### SWAP SHOP

- FOR SALE:** 19 in. Motorola VHF portable TV with cart. \$35.00  
Contact: Doc Cutler - K3GAS (215) ME5-1078
- FOR SALE:** SB110 - 6M transceiver with power supply & speaker -mint condition \$300.00  
GONSET 2M Sidewinder-SSB Tranceiver-good condition \$200.00  
Contact: Stan Smith, K3IPM (215)355-2867
- FOR SALE:** MONITOR SCOPE - Type 90932 by Millen with instructions-good for 75 thru 6 meters \$50.00  
GONSET COMMUNICATOR II-A-2 meters (Club rig-good condition) \$50.00  
GONSET COMMUNICATOR III-6 meters (Club rig-good condition) \$50.00  
Contact: Rich Pattison, K3ACR (215)885-3830
- FOR SALE:** Clegg interceptor B-2 & 6 meters. AM & SSB receiver-plus-matching Clegg Zeus-2 & 6 meter transmitter 100 to 150 watts output. Each \$250.00 or best offer.  
Contact: Pete Shavney, WA3OVH (215)TU6-1859
- FOR SALE:** Heath Kit-SB-303 with CW & SSB filters 2nd SB-600 speaker Mint condition - \$260.00  
Heathkit-SB-401 with crystal pack - mint condition \$225.00  
CDR TR44 Rotator with control box and 70 ft. cable \$35.00  
Drake TR3 with AC-3 power supply and MS4 speaker and extra blank speaker case and D-104 PTT mike \$375.00  
Contact: Dr. E.H. Vickner, K2SNK 21 Running Brook Rd. Trenton, N.J. 08638 (609)883-5318

SWAP SHOP Cont'd on page 11.

# BARRACKS TRADING POST



Camping • Electronics • Canvas  
 ROUTE 38 at RUDDEROW AVENUE  
 MAPLE SHADE, NEW JERSEY 08052  
 HARVEY PRIMOST 662-6114

085-0398  
 MAIN OFFICE

## Communications Sales and Service Co.

GEORGE A. RYAN  
 General Manager

23 WILLOW ROAD  
 MAPLE SHADE, N. J. 08052



## Scott's Surplus Electronics

134 E. Park Av., Merchantville, N.J. 08109  
 Division Of dab Associates Inc.

Pres: Scott Layman

609-665-2466



AMIL S. GUMULA  
 PRESIDENT

A. G. RADIO PARTS CO.  
 939 TOWNSHIP LINE RD.  
 ELKINS PARK, PENNA. 19117  
 TELEPHONE: 215-686-5100

**RCA** Authorized Distributor

HALLICRAFTERS  
 FACTORY AUTHORIZED  
 SERVICE

BUS. (215) MI 6-2511  
 RES. (215) 277-5883

## ELECTRONIC EXCHANGE

ALL TYPES OF HAM GEAR & ELECTRONIC EQUIPMENT  
 BOUGHT, SOLD, TRADED & REPAIRED

new & used antennas

GORDON R. KITTEL  
 K3AIG

311 E. WALNUT ST.  
 (N. WALES RD.)  
 NORTH WALES, PA. 19454

Dave Jones - WABJL  
 Ben Schaefer - WABATP  
 Phyllis Dorey - WABONG

Suburbs: (215) 448-2300  
 Phila. (215) 528-6120

## KASS ELECTRONICS DISTRIBUTORS



DISTRIBUTORS OF  
 RADIO - TELEVISION PRODUCTS  
 INDUSTRIAL ELECTRONIC PARTS & EQUIPMENT

2502 TOWNSHIP LINE ROAD  
 (West of Lansdowne Avenue)  
 DREXEL HILL, PA. 19026



215 688-2140

O. E. MARTIN  
 MANAGER

LAFAYETTE RADIO ELECTRONICS  
 of Cheltenham, Inc.

6155 ORCHARD AVENUE WYNCOTE, PA. 19083

215-674-0300



LAFAYETTE RADIO ELECTRONICS  
 "Associate Store"  
 531 Easton Road  
 Horsham, Pa. 19044



PARTS - TEST EQUIP

Ed Clark



215 732-0267

J. E. GOMBERG  
 MANAGER

LAFAYETTE RADIO ELECTRONICS  
 of Oxford Valley, Inc.

174 OXFORD VALLEY MALL LANGHORNE, PA. 19047

K3MXM

JE 3-4650  
 4661

LEE A. COHEN

CLAYTON L. HAGY & SON  
 INCORPORATED  
 4527-31 HEDGE STREET  
 PHILADELPHIA, PA. 19124

WIPING RAGS  
 POLISHING CLOTHS  
 COTTON & WOOLLEN WASTE



ELECTRONIC CENTER  
 SCHLUMBERGER PRODUCTS CORP.  
 OVER 300 ELECTRONIC KITS

TED HALDIS  
 MANAGER  
 K3EPK

6518 ROOSEVELT BLVD.  
 PHILA., PA. 19149

TELEPHONE  
 818 CU 8-0180

W3CJU

## DONALD KRAUT HAMPTON

Jeweler - Watchmaker

ROGER W. KRAUT  
 31 W. Stone Street  
 Doylestown, Penna.

Phone  
 Bus. 348-4884  
 Res. 348-8969

LOcust 7-7130

K3KTY

## TRANSPORT EQUIPMENT COMPANY

"Everything for the Truck"

JOHN A. TATE  
 PRESIDENT

2215 - 2217 RACE STREET  
 PHILADELPHIA, PA. 19103

## PATRONIZE OUR ADVERTISERS

Tell them you saw their Ad in

CHEESE - BITS



W3KKN

ERNEST KENAS  
 TOOL DESIGN  
 MANUFACTURING ENGINEERING DEPARTMENT

THE BUDD COMPANY  
 AUTOMOTIVE DIVISION

PHILADELPHIA, PA.

609.429.0087

BRADDOCK ASSOCIATES  
 MANUFACTURERS' REPRESENTATIVE

EDWARD BRADDOCK  
 MEMBER: E.R.A. & I.E.E.E.  
 W2BAY

POST OFFICE BOX 305  
 HADDONFIELD, N. J. 08033



COMPLETE HOME WINE MAKING SUPPLIES



## WINE CELLAR SUPPLY HOUSE

BETHLEHEM & BUTLER PIKES  
 AMBLER, PA. 19002

JOHN COSTA

[215] 643-3565

(609) 663-9236

SWEETMAN, CALIBRATION SERVICES  
 ELECTRONIC TEST EQUIPMENT CALIBRATION

GERHARD J. SWEETMAN

2672 GLADWYN ROAD  
 PENNSAUKEN, N. J. 08109



THIS IS YOUR LIFE ( THE PACK RATS)

Part #1 "A CLUB IS BORN"

Two fellows, W3IBH Charlie Clements and W3SAO Frankie Brick had a dream to form a V.H.F. Radio Club. W3SAO sent out about 15 post cards to fellows we knew were on 2 and 6 meters. The meeting was held at the QTH of Oscar Jacoby, W3FSC on May 15, 1956. Since the club was organized in Mt. Airy it became known as the Mt. Airy V.H.F. Radio Club.

The following principles were adopted:

1. Membership shall be by invitation only, and a limit to be set.
2. To qualify for membership a ham must be active on the V.H.F. Bands.
3. The purpose of the club shall be to promote interest in V.H.F. activity and improvement of existing equipment.
4. To help one another, join in any club sponsored event 100%.
5. The club shall meet once a month.
6. The club frequency shall be 144.2 MC and members will be given crystals.
7. W3IBH was appointed President and W3SAO Secretary.

CHARTER MEMBERS AS OF MAY 15, 1956:

W3CL, W3CPT, W3DHH, W3FSC, W3HWV, W3HYO, W3IBH, W3NKD, W3RZU, W3SAO, W3ZEY

Refreshments were provided by W3IBH and W3FSC. A free will offering of \$4.50 was collected.

The June meeting was held at the QTH of W3FSC. All members present agreed to turn in their scores to the Club in any contest in which the club participated in as a Club event. W3FSC announced the August meeting would be held at the Chelton Hills Recreation Center at Lober and Upsal Streets, Mt. Airy. W3CL and W3CPT offered to serve on the House Committee.

Sunday, August 12th was selected as the date for our first annual picnic. Each family to bring their own food. Refreshments to be supplied by the club. W3ALR and W3FSC offered to investigate possible sites for the picnic.

HAMS PRESENT: W3CL, W3CPT, W3DHH, W3FSC, W3HWV, W3HYO, W3NKD, W3RZU, W3SAO, W3ZEY, W3KKN, W3ALR, W3OZP, W3TYX, W3UMI.  
Free will offering collected: \$8.25.

The July meeting was held at the QTH of W3KKN, Ernie Kenas. A choice of two sites were presented for the picnic, either Mermaid Lake in Ambler or Fort Washington State Park in Flourtown. The picnic committee to decide upon the site.

The members were asked to try and work W3HYO and K2DCF on 2 meters when they arrive at Mt. Cadillac, Maine. The refreshments were purchased by W3KKN and he was reimbursed by the free will offering.

HAMS PRESENT: W3CL, W3CPT, W3HWV, W3NKD, W3RZU, W3SAO, W3ZEY, W3KKN, W3ALR, W3OZP, W3TYX, W3VGN, W3FOZ, W3CCX(OUR MEMORIAL CALL) W3FCM.  
Free will offering: \$12.00.

The picnic committee consisted of W3IBH, W3HYO and his XYL Violet and W3SAO and his XYL Helen. W3HYO and his XYL Violet wrote letters for Ham and Childrens prizes. W3SAO and his XYL Helen wrote letters for Ham and Ladies prizes and soda companies for liquid refreshments.

The picnic was held at the Fort Washington State Park, Flourtown, Pa. on August 12, 1956. A good time was had by all who attended.

THIS IS YOUR LIFE cont'd

The August meeting was held at the Chelton Hills Recreation Center. "Believe It or Not" the financial report turned in for the picnic showed it cost the club all of \$5.00. Helen, XYL of W3SA0 deserves all the credit for keeping the cost down with the help of W3HY0 and his XYL.

Expenses	\$46.43	---	prizes, sodas, etc.	Receipts	---	\$27.00	@\$1.00/fami
	.74	---	postage for notices			10.90	raffle
<hr/>				<hr/>			
	47.17	---	Total			37.90	---
Total Receipts	\$37.90						
	<u>14.51</u>	---	Balance in Treas.				
	52.41						
Less Expenses	<u>47.17</u>						
	5.24	---	Balance				
	plus 5.40	---	Return on empty bottles				
	<u>\$10.64</u>	---	Balance on Hand				

A CHARTER for the club was discussed and a committee was formed consisting of W3CL, W3CPT, W3FSC, W3KKN and W3SA0. They were to present a draft of a charter at the September meeting. The following were appointed to the Membership Committee: W3KKN, W3NKD and W3RZU.

HAMS PRESENT: W3CL, W3CPT, W3ALR, W3VGN, W3KKN, W3DHH, W3RZU, W3FSC, W3HY0, W3SA0, W3NKD, W3FOZ, W3TYX, W3VOC, W3YCL, W3QAS and W3NSI.  
Free will offering \$10.64.

(TO BE CONTINUED)

Frankie W3SA0 Club Historian

ARRL BOARD MEETING HIGHLIGHTS

OFFICIAL BULLETIN NR 493 FROM ARRL HEADQUARTERS  
NEWINGTON CONN JULY 19 1974 TO ALL RADIO AMATEURS BT

The ARRL Board of Directors held their second 1975 meeting in New York City just prior to the National Convention with sessions running into a third day for the first time in many years. Directors took extensive actions in a broad spectrum of matters involving amateur radio generally and league affairs in particular. FCC will be asked to expand the six meter repeater sub-band down to 51.5 MHz with higher power authorizations, to permit SSTV and facsimile use through VHF repeaters, to authorize multiplex control of repeaters, and to allow remote control of portable repeaters. To halt further operating losses and return league finances to a sound basis, the board ordered a rise in membership dues to nine dollars (\$9.00) USA, Ten dollars (\$10.00) in Canada, effective January 1, 1975. Approval was given national conventions in Reston, Va. for 1975, and Toronto, Ont. for 1977. Robert Benson, VE3VW, was named Associate Counsel for Canada. Studies were ordered of means for more rapid delivery of QST, of a possible ARRL member newsletter, and a patron grade of benefactor membership. The New York counties of Saratoga, Warren and Washington were transferred to the Hudson division. The board instructed that the phone DXCC award be continued, and that more propagation prediction information appear in QST. The emergency communications advisory committee will explore an international plan for amateur emergency communications. Unconditional support was given a new task force to tackle broad problems of amateur interference to TV and other home entertainment devices. Spot announcements will be created for radio and TV use. WIAW code practice material will be made available in tape cassette form. Minutes of the meeting will appear in September QST. AR

FOR SALE: Tektronix Type 511A Oscilloscope-working \$10.00  
Clegg FM-21-completely calibrated and working, with manual. Crystal frequencies included are:  
Chan: 1 - 223.5  
Chan: 2 - 223.34  
Chan: 3 - 223.14  
Chan: 4 - 222.98 (Pack Rat repeater)  
Sonar Two-meter FM 8 Channel Unit Model FM3601-complete with crystals 16/76, 28/88, 94/94, 09/09, 58/58 52/52, 37/97, 19/79, extra crystals 22/82 - 10 watts output Excellent condition & working \*185.00 (manual included)

FT-2 Auto VHF/FM Transceiver Manu.--Yaesu - complete with crystals 19/79, 16/76, 94/94, 34/94, 13/73, 28/88 and a spare 58/88, 52/52 - can be used mobile or base AC power supply self-contained \$210.00 (manual included)  
Eight Track Auto Stereo Tape Player - working condition \$10.00 (manual included)

Contact: Alan Ruben K3AUH  
365 Avon Street  
Phila, Pa. 19116  
(215) 671-1869

VHF REPORT

by Jo, W2EIF

The six meter band has been very good this summer with several openings to the West Coast and to Central America. TI2NA was worked by several locals as were several TG stations.

The two meter band has been quiet except for the July 4th weekend. One of the best auroras for several years occurred. It started Thursday night (4th) about 11:00 P.M. EDT and went into the early morning hours of Friday. It apparently was on all day Friday and until 9:00 P.M. Friday evening. Those that thought the band opening for aurora was over were mistaken. It started up again about 11:30 P.M. and went on into the early morning hours of Saturday. The best DX that was reported to this writer apparently occurred on 6 meters with K1WHS reportedly working a station in 7 land.

W4FJ of Richmond, Va. would like to receive reports of any contacts, particularly for 2 meters and up, that were observed during the aurora period. The writer tried 220 MHz but noted no activity or aurora but WLYTW in Maine told me several days later that he heard me on aurora on that band.

The tropo season usually picks up in August, so start listening and calling.

TID-BITS

The Lee Cohen's (K3MXM) went on a one month cross-country safari in their van to visit their new grandson in Washington State. Congratulations.

W2AXU, W2EIF and W3CL visited Clegg in Lancaster on July 16. The Pack Rat 220 repeater temporarily off the air undergoing adjustment and repairs. FM-21 units now available at Hamtronics.

There were over 70 visitors at our July 18 auction meeting, but we must mention Lee, W2KFC up from Virginia (former Pack Rat). We were pleased also to see an old friend (ex-3AWR) Mike Pollock who says things sure have changed in Ham Radio since 1928.

W3ZRR, Ray Whitehead home from the hospital - give him a telcon or better yet a personal visit.

Jim Bowman, K30BY feeling much better and would like to hear from the gang.

The recent Space Net Contest was a smashing affair - if you participated and worked WM200N, get your logs mailed into Tony, WB2MTU.

Linda, XYL K3AUH, Al Rubin has a new call - WA3WNZ, congratulations.

Do you know that an ARRL foundation has been established for the purpose of providing educational assistance for promising U.S. and Canadian youth in fields related to amateur radio. Tax deductible gifts are solicited for this worthy program.

Pack Rats seen at the recent ARRL National Convention in New York City -- K3GAS, W2HX, W3KKN and XYL W3TNP; WA3OVH; W3PST, W3ZD, K3ZKO, K3ZSG and W3CL. The editor had the pleasure of meeting W6FZJ of West Coast moonbounce fame. Brushed up on my Spanish with LU2DC/W3; Fernando Milia presently on duty at the Argentine Embassy in Washington, D.C. We all were at the same table during the Saturday night banquet.

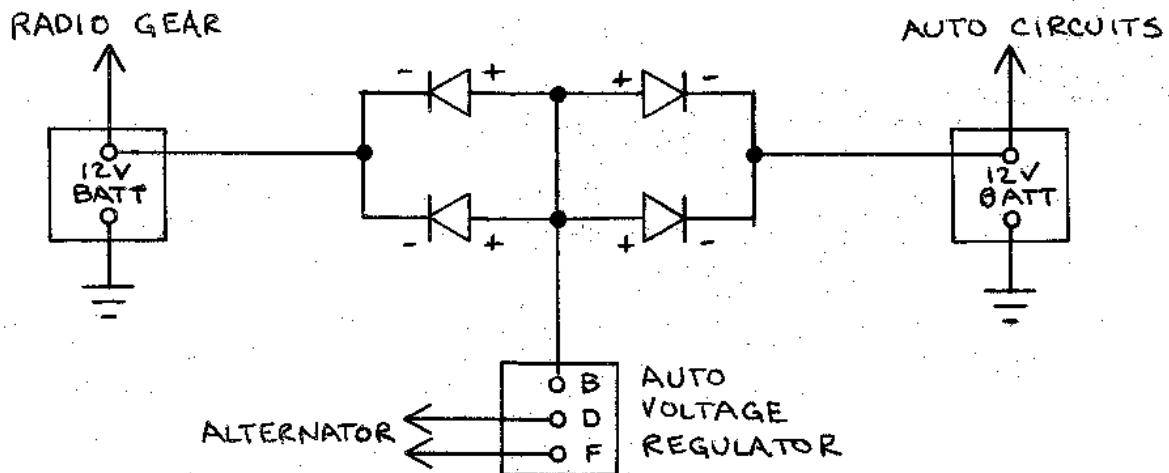
**\*\*\* SOLID STATE BATTERY ISOLATOR \*\*\***

- from "Sara Slip" -

If you would like to install a second battery in your car to operate radio equipment and not worry about having enough current to operate your starter, consider the following device.

Your car's alternator will charge both batteries, but operating your radio gear too long will only discharge the one, leaving the regular car battery fully charged for instant use. Cost? about \$8.00.

D 1,2,3,4 -- stud mount silicon diodes, 60 piv at 25 amps or more. Mount with usual insulating washers on heat sink.



STORE HOURS: Tues. & Thurs. 9:30-6:00, Wed. & Fri. 11:30-9:00, Sat. 9:30-5:00  
CLOSED MONDAY

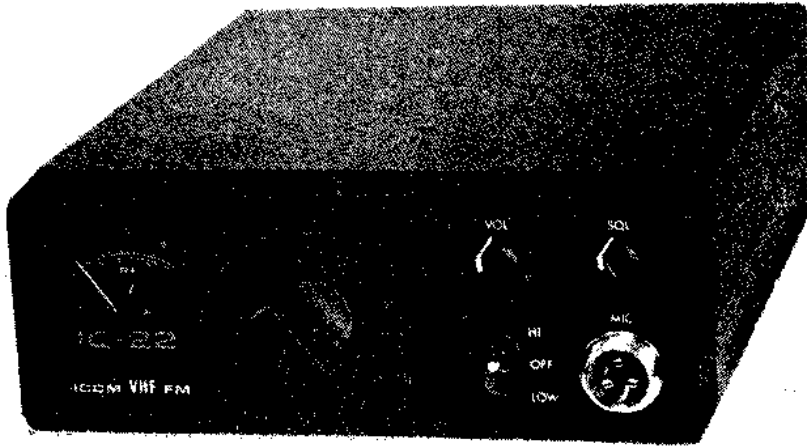
# ELECTRONIC EXCHANGE

311 E. WALNUT STREET (N. WALES RD.)  
 NORTH WALES, PENNSYLVANIA 19454  
 (215) MI 6-2511

AMATEUR RADIO • SHORT WAVE RECEIVERS • ELECTRONIC EQUIPMENT



**IC-22** 22 CHANNEL  
 2-METER FM  
 10 WATTS



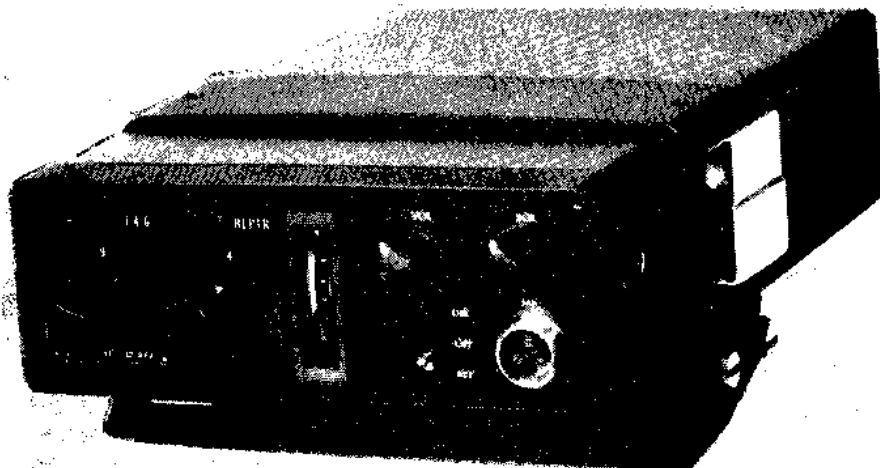
READY TO  
 GO ON:

- 1 94/94
- 2 34/94
- 3 22/82
- 4 28/88
- 5 52/52



**IC-230**

**VHF FM PHASE LOCKED LOOP  
 SYNTHESIZED TRANSCEIVER**



## NEW RINGO RANGER

for Amateur FM

Get extended range with this exciting new antenna. A one eighth wave phasing stub and three half waves in phase combine to concentrate your signal at the horizon where it can do you the most good.

- 6.3 dB Gain over 1/4 wave whip
- 4.5 dB Gain over 1/2 wave dipole

ARK-2 145-148 MHz	\$22.50
ARK-450 435-480 MHz	\$22.50
ARK-220 220-225 MHz	\$22.50

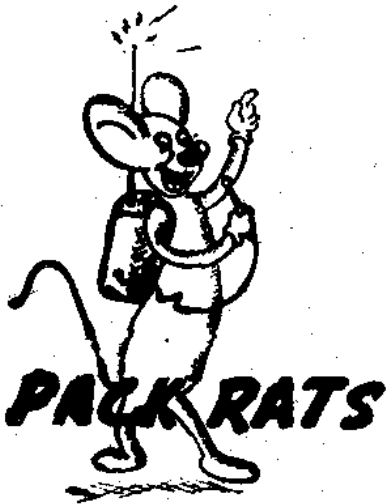
Upgrade your present Ringo Rings with this antenna kit. Simple to install.

Price \$22.50



671 HAYWARD STREET  
 MANCHESTER, N.H. 03103

Cheese Bits  
2087 Parkdale Ave.  
Glenside, Pa. 19038



W3FQD Dick Huntzinger  
130 Fairhill Drive  
Churchville, Pa. 18966

MT. AIRY VHF RADIO CLUB, INC.

FIRST CLASS

MEETING NOTICE

# AMATEUR RADIO EQUIPMENT

*"Ham" Buerger, Inc.*

68 N YORK ROAD, WILLOW GROVE, PENN. 19000  
(215) OL 9-5900

## STORE HOURS

Mon. 9:30 to 5:30  
Tue. 9:30 to 5:30  
Wed. 9:30 to 9:00  
Thur 9:30 to 5:30  
Fri. 9:30 to 5:30  
Sat. 9:30 to 5:30