

# PACK RATS'



## PACK RATS

CLUB CALL: W3CCX

# CHEESE

# BITS



MT. AIRY VHF RADIO CLUB, INC.

MT. AIRY VHF RADIO CLUB, INC., PHILADELPHIA, PA.

ARNS

50.125, 144.150, 432.110, 1296.025 Mhz, WR3ACD - Repeater 222.98/224.58 Mhz

Affiliated Club: AMERICAL RADIO RELAY LEAGUE

Meetings: Third Thursday of each month at 8:00 P.M.

Southampton Free Library, 947 E. Street Road

Southampton, Pennsylvania 18966

SCANNED TO PDF BY BERT, K3IUV, 2012

VOLUME XXII

JANUARY, 1980

NUMBER 1

### THE PREZ SEZ

The January Contest means different things to different people. Some of us become very competitive and go all out to win. Others try to improve their score every year; still others just get on to give out points and help the Club effort to the best of their ability. There is a small group of members that don't get on for the contest at all. They use many excuses, but the main one, I think, is that the competitive environment and the ever changing mess of rules and regulations and "no no's" makes the whole affair very distasteful. To these members I say, ask yourself why you are a VHF'er and why you are a Pack-Rat. The answer to both questions is pretty much the same. We all enjoy operating the bands where certain amounts of technical expertise and knowledge is required to make a contact, and we enjoy being associated with other "elitests" (there's that word again!) who feel the same way. If you're a disgruntled tester, don't let the rigid contest format and rules turn you away. Get on and try out the old station in a hostile environment and help out some of your friends, many of whom take the contest very seriously. Even a couple of hours of operation (compared to no hours) helps and your friends will respect you for it.

There are many members who need no "pep talk". You probably had to take a break from your last minute preparations to read this. Sorry, I'll try to make it short. Remember, the more time you operate the higher your score will be. Plug away at it and don't give up. Remember, if we lose the one point to RARA, that one extra contact you could have made will look awfully big! Don't forget there will be club awards this year for top contest performers. These awards will go to: 1) All members who improve their score 25% over last year; 2) the three top scorers in the club, and; 3) the three members who improve their score the most over last year. So everyone has something to shoot for. And the club has something to shoot for -- This could be Number 20. Good luck and remember, Contests Are Fun!!

73, Bill, W3HQT

\* \* \*

### IN MEMORIAM

DR. ARTHUR T. SHARPE, W3CLT  
JANUARY 15, 1917 -- DECEMBER 9, 1979  
FATHER, IN THY GRACIOUS KEEPING  
LEAVE WE NOW THY SERVANT, SLEEPING

Pack Rats CHEESE BITS is a publication of THE MT. AIRY VHF RADIO CLUB, INC. Philadelphia, Pa. and is published monthly.

Subscription Rate - \$2.00 per year.

We operate on an exchange basis with other publications. Anything that is printed in CHEESE BITS may be reprinted, unless otherwise stated, provided that proper credit is given

SWAP SHOP ITEMS - no charge.

DEADLINE FOR ARTICLES IS THE GENERAL MEMBERSHIP MEETING.

EDITOR:

W3CL, Harry B. Stein  
2087 Parkdale Avenue  
Glenside, Pa. 19038  
215 - 887-5052

PUBLISHER/SUBSCRIPTION MANAGER:

K3GAS, Doc Cutler  
7815 New Second Street  
Elkins Park, Pa. 19117  
215 - ME 5-1078

PRINTER:

WA3FOF, Ralph Alexander  
2600 Cheltenham Avenue  
Philadelphia, Pa. 19150  
215-276-4185

TYPIST:

WA3TEM, Marsha Lissauer

TRUSTEE OF CLUB CALLS: W3CCX-WR3ACD:

WA3AXV, Ronald Whitsel  
209 Frog Hollow Road  
Churchville, Pa. 18966  
215-355-5730

AWARDS CHAIRMAN:

W2EIF, Joseph Kilgore  
#5 Sunnybrook Court  
Stratford, N.J. 08084  
609-783-9478

CLUB HISTORIAN:

W3CL, Harry B. Stein

OFFICERS: 1979-1980

PRESIDENT: W3HQT, Bill Olson  
VICE-PRES: W3IIT, Harry Brown  
COR. SECY: WB3HHO, Paul Randolph  
REC. SECY: K3IGX, Dick Boyle  
TREASURER: K3GAS, Doc Cutler

DIRECTORS:

W3HMU, Tony Souza (Ex-Officio)  
N3AHL, Jim Holt (2 years)  
WA3NFV, Dan Mitten (2 years)  
WA3JUF, Dave Mascaro (1 year)  
WA3WAS, Steve Simon (1 year)

\* \* \*

MONDAY NIGHT NETS:

7:30 PM - 144.2 Mhz AM/FM/SSB  
8:30 PM - 50.2 Mhz AM/SSB  
9:00 PM - 222.98/224.58 Mhz FM  
9:15 PM - 1296.3 Mhz CW  
9:30 PM - 432.1 Mhz CW/SSB

NET CONTROL

W2EIF  
W3CL  
K3GAS  
W2EIF  
K3IUW

PACK RAT REPEATER - WR3ACD - 222.98/224.58  
Churchville, Pa.

1-302-478-2757

AMATEUR  
and  
ADVANCED  
COMMUNICATIONS

"Gisele"  
K3WAJ

G. B. WALLS

8208 CONCORD PIKE (RT. 202)  
WILMINGTON, DEL. 19808



PENNSYLVANIA  
INSTITUTE OF TECHNOLOGY

PAUL D. MERCADO - W3FBF  
FCC AMATEUR Instructor COMMERCIAL  
LICENSE INSTRUCTION

(215) FL 2-7100  
(215) JA 8-6998

414 SANSOM STREET  
UPPER DARBY, PA. 19082

MAKE A GOOD MARRIAGE GREAT!



ASK US ABOUT OUR WEEKEND.

TONY AND JAN DOUG AND WENDY  
W3HMU WB3KES  
HARRY AND ROSE DAN AND LUCY  
W3IIT WA3NFV

CALENDAR OF COMING EVENTS

Syllabus By Lee, K3MXM

JANUARY

- 1 HAPPY NEW YEAR 1980 - May it be a healthy, happy and wealthy one to all!!  
Interesting info: While we count our year as 1980, many other people count it as:  

|             |      |               |      |
|-------------|------|---------------|------|
| Byzantine   | 7489 | Japanese      | 2640 |
| Jewish (AM) | 5741 | Grecian       | 2292 |
| Roman (AUC) | 2733 | Indian (Saka) | 1902 |
| Nabonassar  | 2729 | Diocletian    | 1697 |
|             |      | Moh. Hegira   | 1401 |
- All Race Horses are one year old today.
- 3 The Earth is at perihelion - its closest approach to the Sun - at 10 a.m. it is nearly 3 million miles closer than it will be on July 5th. There will also be two full Moons this month - The "Wolf Moon" on the 2nd and the "Snow Moon" on the 31st.
- 4-6 Orlando and Northern Florida ARRL Convention and Hamfest
- 6 Telegraph first tested 1838
- 10 Board of Directors Meeting - QTH - W3IIT - Harry Brown, 3012 Potshop Road, Norristown, Pa. Phone: 584-4846. Directors and interested parties always invited.
- 10-13 SAROC - The Dunes Hotel, Las Vegas, Nevada
- 12-13 THE CONTEST. 1800 UTC (Sat. 1 P.M. EST) to 0400 UTC (Sun. Midnite)  
All VHF Bands - All Modes. Very important Note: All logs and times must be entered and kept in UTC/GMT Times
- 13 The Bastille falls in the French Revolution 1649
- 15 Martin Luther King Birthday
- 16 The infamous 18th Amendment - Prohibition Began 1920.
- 17 General Club Meeting - Our Famous CRYING TOWEL SESSION or Why did the Law of Murphy pick on my Station. An open meeting to all area Hams - one of the best and funniest of the year; naturally refreshments; The Mario Raffle and Frankies Silent Auction. Same place and time - the Southampton Free Library, Street Rd., Southampton, Pa. 8:00 P.M.
- 26-27 CQ 160 Meter Contest

UP COMING EVENTS

February Meeting will be "Home-Brew Nite" - so get busy on those special projects. First area Hamfest of the Year - Lancaster, Pa. Feb. 24th. Info: Sercom, Box 6082, Roherstown, Pa. 17603

\* \* \*

VOTED TO MEMBERSHIP DEC. 20, 1979

KB3HE Bob Stets      XYL - Susan  
328 Trenton Road  
Fairless Hills, Pa. 19030  
215-945-7507

NEW PRODUCTS OF INTEREST TO HAMS

By Lyn, W3NSI

1. DIGITAL READOUT: The Torrestronics Co. is selling a digital readout unit that can be connected to a variety of receiving and transmitting equipment. In use, the frequency is read on 4 LED readouts. If the receiver is tuned to 14,321.4 Mhz the digits will indicate .321.4 Khz. with the Mhz figures not being read out on the display. The unit can plug directly into equipment such as the Kenwood and Drake, also some Heath Kit equipment. For many other units, instructions for hookups are provided in the instruction book. Mating information to connect to the following is included: Yeasu FT101, HRO 60, all Collins, All Atlas, Hammarlund 170, 180 and SP 600, FRG 7, Swan 250-350-500, Radio Shack DX 150 & 160. Price Kit \$95.70. Partial Kit, \$35.00. Wired and tested \$135.00. 4850 Hollywreath Ct., Dayton, Ohio 45424 (on display at Hamtronics)

2. FM T/R FOR 2 METERS: Vibroplex has just started taking orders for their new 225SL rig. Like so many rigs now on the market, this unit features complete band coverage in 5 Khz jumps; digital readout, and an output of about 25 watts. In size the unit is a bit bigger - 7" x 3" x 11" deep. The main differences are the number of memory channels - 16 for 225 SL, and two built in scanners; one just for the memory channels, and the other for tuning 1 Mhz segments of the 2 meter band. A built in battery holds the memories while the unit is moved from the car to house, or car to car. Power output is variable from 1 to 25 watts. Price \$595. P.O. Box 7230, 476 Fore St., Portland, Maine 04112

\* \* \*

VHF/UHF REPORT

By Jo, W2EIF

This report for the most part concerns 50 Mhz since that is where the action has been since mid October. The report covers the period Nov. 15 through Dec. 20. There has been some activity on 2 meters and above. It was highlighted by E skip openings Dec. 4 & 5 about 7 PM, from Florida to the Northeast and favoring the New England states.

Nov. 16, 17 and 18 produced cross band activity in the AM (50 Mhz to 28,885), good back scatter and openings to the West Coast in the PM with Alaska in briefly. Nov. 19 thru the 24th produced the usual crossband, and back scatter contacts to the Midwest with KX6 and KL7 in the afternoon. Nov. 20, 21 and 22 produced good openings to Alaska. The 23rd and 24th had the usual crossband and back scatter and EI2W direct. Hawaii was in on the 24th and VE1ASJ worked a ZL.

Things tailed off on the 25th and 26th with no openings at all on the 28, 29th. The 30th produced a few KH6's with the band open to 6 PM. On Dec. 1 the band began to pick up again. The band was open to the South on Dec. 4 and W2AXU worked LU9MA. Brazil was also in. Dec. 5 produced Mexico and KH6's. The openings to the west seemed to favor the NW stations such as Oregon, Wash. and VE7. Dec. 9th produced an opening to Alaska and the Yukon. VY1AU using 3 watts and a small beam was heard working a pile-up that included stations from Maine to Florida, VE1,2,3 and stations as far west as Oklahoma and Texas. Dec. 10th produced the usual crossband and back scatter in the AM and an opening to the NW in the PM which was peculiar in that only Alaska stations were heard. KL7JIZ (on CW) was very strong, begging for contacts (and even W3CL worked him on first try). Dec. 11th began with very strong TV signals from Eastern Europe clobbering the 50 Mhz band. Couldn't hear a thing thru it. Band was open in PM again to Alaska along with a few weak VE6, VE7 and 7 land stations. The same was repeated on the 12th but with Alaska stations noticeably weaker. Dec. 13th thru the 15th produced heavy East European TV in the AM but nothing to the West except a brief contact with KL7NO by N3AHL. On Dec. 14th the 28 Mhz boys in England reported that Channel 2 from Maine was being received. Back scatter was good but nothing to the West in the PM. Dec. 16th produced a tinge of European TV, EI2W but nothing except a brief E skip opening to the West. Dec. 17th only EI2W heard briefly and Dec. 18,19 and 20 produced nothing in the way of F2 activity. There was an E skip opening on the 19th in the evening from the Northeast to the South and Midwest.

A TWO METER 30 WATT OUTPUT AMPLIFIER  
by Randy Bynum, WB2SZK \*

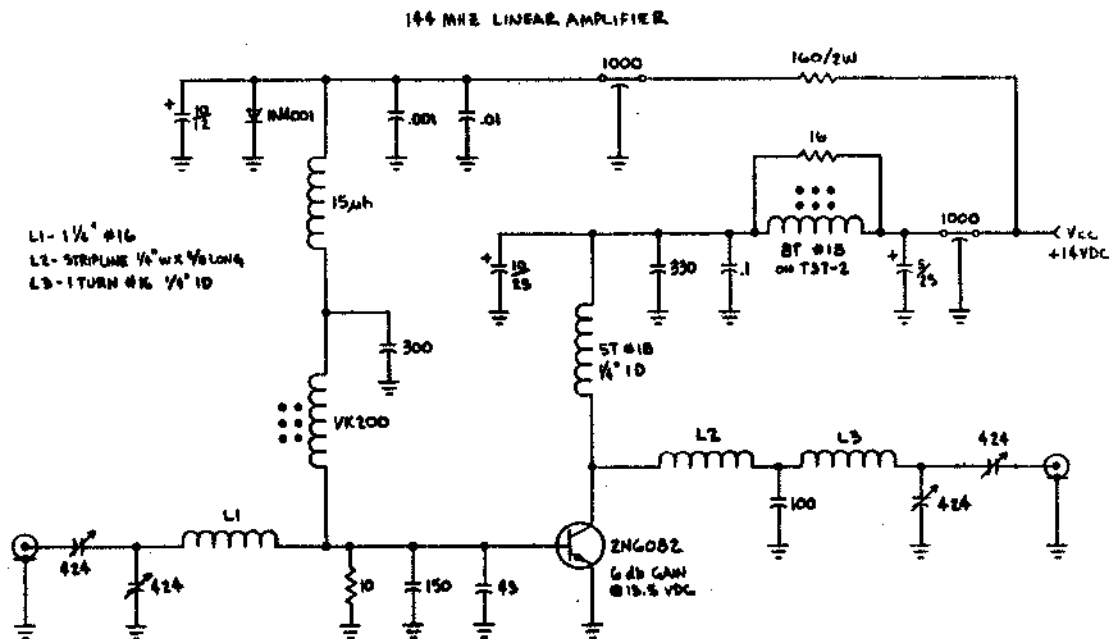
By now several of the two meter transverters should be in operation around the Phila. area. The 5 - 8 watts output from the mixer is a good start on 2 meter SSB, however, the desire for more power output is usually in most peoples minds. I had originally planned an amplifier having two stages (which I may still do), but in thinking more about it, I decided that two series amplifiers may be a more reasonable approach. This allows additional equipment to be added at a slower rate thus keeping the cash outlay in smaller amounts each time. This approach also allows greater flexibility in individual station layouts. Someone may not need 60-70 watts output if they are driving a pair of 4CX-250B's or similar amplifiers but may need more than the 5-8 watts from the mixer.

This amplifier will allow you to increase the 5-8 watts output to the 20-25 watt level. This is more than enough to drive another amplifier to about 100 watts output. Also, by using the two amplifier approach; if one amplifier was to fail in the middle of a contest it could be easily be taken out of the circuit and only one used at the reduced output power.

This amplifier shown in the schematic diagram is a straight forward Class AB linear with a Tee match for both the input and output circuits. Double RF chokes and bypassing are included to improve the stability of the linear. The transistor is forward biased into Class AB by the 160 ohm 2 watt resistor and the 1N4001 diode. The collector current should be between 20 and 25 ma. with no drive applied. The diode is mounted directly on the stud of the 2N6082 in order to follow any temperature changes of the device to prevent thermal runaway.

Tuning is fairly simple and involves the same procedure as in the 50 Mhz linear in the previous Cheese-Bits article except for the 1/2 voltage. With 4 watts of drive, I was able to obtain 18 watts output with 13.4 VDC on the collector. By increasing the drive to about the 6 watt level, 25 watts should be obtainable.

\*(Do not reprint without written consent from the author)



RECOMMENDED CHANGES FOR 2 METER TRANSVERTER

REFER TO THE SCHEMATIC FOR THE 166 MHZ LOCAL OSCILLATOR!!

1. Change L7 to A .47uh choke (12T #20E. 1/4 In. Dia.).
2. Remove 25 PF cap from emitter of PR3.
3. Remove 100 PF cap from base of PR3 and connect to ground.
4. Remove 3300 Ohm Res. from base to 12V. line on PR 5.
5. Replace 680 Ohm Res. from base to ground on PR5 with A 2200 Ohm Res. (You may use the 3300 Ohm Res. removed in change #4).

REFER TO 144 MHZ TRANSMIT MIXER SCHEMATIC!!

1. Add A .14 uh RF choke in series with A 25 PF cap. to the C1 connection on the IF port of the double balanced mixer (you may use the 25 PF cap. removed in change #2 of L0).

REFER TO THE RECEIVER CONVERTER SCHEMATIC!!

1. Add A .1 MFD disc cap. to source of PR 2 to ground.

\* \* \*

SUNSPOT CYCLE NO. 21

Submitted by Jack Power, W2AXU

| <u>MONTH</u> | <u>MONTHLY MEAN NO.</u> | <u>SMOOTHED NO.</u> | <u>MONTH</u> | <u>MONTHLY MEAN NO.</u> | <u>SMOOTHED NO.</u> |
|--------------|-------------------------|---------------------|--------------|-------------------------|---------------------|
|              | <u>NO.</u>              | <u>NO.</u>          |              | <u>NO.</u>              | <u>NO.</u>          |
| JUNE 1976    | 12.2                    | 12.2                | JAN. 1978    | 49.3                    | 61.3                |
| JUL          | 1.9                     | 12.9                | FEB          | 89.8                    | 64.5                |
| AUG          | 16.4                    | 14.0                | MAR          | 73.5                    | 69.6                |
| SEP          | 13.5                    | 14.3                | APR          | 94.7                    | 76.9                |
| OCT          | 20.6                    | 13.4                | MAY          | 79.3                    | 83.2                |
| NOV          | 5.2                     | 13.5                | JUN          | 94.1                    | 89.3                |
| DEC          | 15.3                    | 14.8                | JUL          | 68.4                    | 97.4                |
| JAN. 1977    | 16.4                    | 16.7                | AUG          | 56.7                    | 104.0               |
| FEB          | 23.1                    | 18.1                | SEP          | 137.3                   | 108.4               |
| MAR          | 8.7                     | 20.0                | OCT          | 122.8                   | 111.0               |
| APR          | 12.9                    | 22.2                | NOV          | 96.6                    | 113.3               |
| MAY          | 18.6                    | 24.2                | DEC          | 119.1                   | 116.7               |
| JUN          | 38.5                    | 26.3                | JAN 1979     | 165.8                   | 122.8               |
| JUL          | 21.4                    | 29.0                | FEB          | 138.0                   | 130.4               |
| AUG          | 30.1                    | 33.4                | MAR          | 137.0                   | 136.1               |
| SEP          | 44.0                    | 39.1                | APR          | 102.8                   | 141.0               |
| OCT          | 43.8                    | 45.6                | MAY          | 134.6                   |                     |
| NOV          | 29.1                    | 51.9                | JUN          | 150.5                   |                     |
| DEC          | 43.2                    | 56.9                | JUL          | 159.6                   |                     |
|              |                         |                     | AUG          | 143.5                   |                     |
|              |                         |                     | SEP          | 188.7                   |                     |
|              |                         |                     | OCT          | 188.2                   |                     |
|              |                         |                     | NOV          | 185.0                   |                     |

\* \* \*

ARRL BULLETIN NR 127 FROM ARRL HEADQUARTERS NEWINGTON CT DEC. 18, 1979 TO ALL RADIO AMATEURS BT  
Canada has agreed in principle with the United States that, after Jan. 21, 1980, amateurs of  
one country visiting the other will no longer need to obtain a written permit. Reciprocal  
operation will be automatic. However, the existing agreement has not been changed in other  
respects, according to information received today. Since there are no licenses in Canada  
equivalent to the Technician and Novice licenses here, these licenses are still not permitted  
to operate in Canada AR. ARRL BULLETIN NR 128 FROM ARRL HEADQUARTERS NEWINGTON CT DEC. 18,  
1979 TO ALL RADIO AMATEURS BT: FCC has relaxed its requirement that the original operator  
license be in the possession of the control operator of an amateur station. Effective Dec.  
21, a photocopy will be sufficient. This is a modification of Sec. 97.82 of the Commission's  
Rules AR. Bulletin NR 127 replaces Bulletin NR 125. Latest bulletin mailed to OBS was NR 126.

SWAP SHOP

FOR SALE: SB-101 transceiver, includes matching power supply and speaker, desk mike, and manuals \$275. good condition.

CONTACT: WA3OVH, Pete  
Phone: 886-1859

FOR SALE: Kenwood - TS700 SP, AM-FM-CW-SSB, all mode 2 meters; like new \$600

KLM - 2 meter linear 10in/40out, 13 VDC \$75. NPC - Power Supply 12A/13.8V Regulated \$60. Plus more HF gear.

CONTACT: Vince Cunningham, KA3BHX  
Phone: 215-NE 4-7923

FOR SALE: Ten Tec model 509 amp. - 1 watt in 50 watts out. 80-10 mtrs. New \$170.

CONTACT: Ed, N2AQJ  
Phone: 609-386-5865

FOR SALE: Heath Kit SB614 monitor scope, mint. \$135. 2 - KLM 12 el Yagi for 2 meters (new) \$35. 1 - Shure 526T

microphone \$20. 1 - Janel QSA6 inline 6 meter pre-amp, like new \$25. 1-Kenwood Speaker.

CONTACT: Bill, WA2DPU  
Phone: 609-386-4504

FOR SALE: 4 element hi-gain 6 meter beam in fair condition. Make offer.

CONTACT: Gordon, K3VYG  
Phone: 215-576-0273

FOR SALE: Kenwood TV-506 solid state meter xvtr, 28 Mhz if, 10 watts out on 6 - 12 VDC or 110 Vac - \$150. firm.

Drake 2B + 2BQ Revr. and Q-multiplier. VG cond. - 80 thru 10 meters. plus WWV + CB band - AM, SSB \$175. Standard 146A HT - complete with charger base, TT pad installed, rubber ducky, xtals for 52/52, 34/94 19/79, 96/36, 99/39 - \$200.

CONTACT: Don, WB3CDE  
Phone: 847-5065 evenings or 672-0900 days.

FOR SALE: 1 - relay rack similar to Bud No. RR-1363 except 31 1/2" panel space. With 4 mounted truck casters \$25. 1 - Relay rack - desk type similar to Bud RR-1248. 21" of panel space \$12. Both racks in excellent cond. Steel

Rack Panels: 1 - Bud PS-1256-A 12 1/4" x 19; 1 Bud PS-1255-A 10 1/2"x19; 1-Bud PS 1254-A 8 3/4" x 19; 1 ParMetal 8 3/4" x 19. All black wrinkle. The 4 for \$6.00. Cabinets - steel - black wrinkle: 1 - 9" Hx15 1/4"Wx 10 3/4" D - \$3.00; 1-9"Hx15 1/4"Wx11"D \$3. 1-7"Hx10"Wx6"D \$2.50; 1-7 1/2"Hx10 3/4"Wx6D, \$2.50; 1 7"Hx 8"Wx7 1/2"D, \$2.50; 1-8"Hx10"Wx8"D sloping pane cabinet \$3.00. Steel chassis for power supplies - Bud: 1-13"Dx17"Wx3"H - \$3.00; 1-10"Dx14"Wx3"H, \$2.50; 1-7"Dx15"Wx3"H, \$2.25. 1-7"Dx13"Wx2"H, \$2.00. 2-13"x17" steel bottom plates \$1.25 for the pair.

CONTACT: Jack Power, W2AXU  
Phone: 609-882-8811

WANTED: DG-5 Kenwood Digital Display for TS520S.

CONTACT: Harold Benner, W3DGO, 1807 James St. Norristown, Pa. 19401

WANTED: Tektronix plug-ins for my 545 scope; will consider all but esp. "1" series.

CONTACT: Bob Morein, WA3IOX  
Phone: 215-646-8266

\*\*\*

Thurs. & Fri. 6:30 - 10PM/Sat. 10AM - 6 PM  
F&C SALES CO., Surplus Electronics, Test equipment, Scopes, Volt Meters, Power Supplies, All types of Electronic Components, Transistors, Diodes, Tubes, Wire, and many other specials.

906 W. Kings Hwy., Haddon Heights, N.J. 08035  
609-546-7773

\*\*\*

Jim Fisk, WIHR is pleased to announce the formation of a new company, RADIO KIT, handling hard to find parts for new projects and equipment repair. A catalog of parts and kits is available free on request. Contact Radio Components and Accessories, Box 429, Hollis, NH 03049 (603-465-7660)

\*\*\*

Hamtronics, Inc., has announced a new 1980 catalog, which is yours for the asking. The 24 page catalog features many types of kits of interest to the radio amateur or two-way shop. Exciting new products in the catalog include a 435 MHz Transmitting Converter, a new UHF FM Receiver, an AM Receiver for aircraft and DX warning, a weather tone alert receiver module, a new low-noise vhf converter, and several new linear power amplifiers for vhf and uhf. These new products follow in the tradition of other fine Hamtronics kits, including their famous VHF & UHF Converters and Preamps and FM transmitters and Receivers. For your free copy of this informative catalog, call 716-392-9430 or write HAMTRONICS, INC., 65 Moul Rd., Hilton, NY 14468. (For overseas airmail delivery, please send 4 IRC's.)

PENNARC 2.20 Mhz repeater now operational on medium power from Montgomery County Community College. Frequency is 223.04/224.64.\* Best coverage areas are along the Turnpike west of Willow Grove as far west as King of Prussia and somewhat beyond and along the Northeast Extension. Coverage in the city (Philadelphia) is scratchy but will improve for mobiles as refinements are added. Base stations into S. Jersey and other surrounding areas have given us good signal reports. Equipment is now being considered and acquired for ATV and RTTY projects for 1980, as well as for the repeater system.

Plans have been completed to VTR the January 22 meeting at MONTCO which will feature Ed Lee and his fine presentation and collection on early American telegraph keys and systems. If you missed the earlier presentation at the Packrat meeting by Ed, please feel free to join us in Room U-13, Founders Hall on January 22nd. Additional information may be obtained from Pete, WA3OVH.

\* A limited number of crystals are available for Midland 13-509 transceivers.

\* \* \*

PROGRAM: "SQ ROOT"

Defined size: 512 bytes                    2 sectors                    Disc 1                    Sector 19354  
Program size: 295 bytes                   2 pages

```
0010        Rem "SQROOT"
0015        Begin
0020        Precision 6
0025        Input 'CS', @(5,5), "ENTER HEIGHT IN FEET", A
0035        Input @(5,7), "ENTER LENGTH IN FEET", B
0045        LET C =(A*A)+(B*B)
0050        LET Z= 1
0055        LET L = ((C/Z)+Z)/2
0060        IF L = LGOTO80
0065        LET Z=L
0070        GOTO 55
0080        PRINT @(5,9), "CHORD LENGTH IS ",L: "##,###.00","FEET"
0099        END
```

NUMBER OF STATEMENTS: 13

If you have a small computer, the above program will aid in the calculation of guy wire lengths.....Jerry, K3KVS

\* \* \*

CHANGE OF ADDRESS

W3KM - William Benner  
5932 N. Ella St.  
Phila., Pa. 19120  
215-224-1489

CHANGE K3JJZ BUSINESS PHONE IN DIRECTORY AS FOLLOWS:

302-575-2535

\* \* \*

OVERHEARD AT THE LAST CLUB MEETING BY LEE'S BIG EAR

If I had to do over again, I'd marry a Japanese girl. They're quiet, graceful, obedient, efficient - and your mother-in-law's in Tokyo...

A man bought a product that was advertised, "Money returned if not satisfactory." He didn't like the product, wrote and asked the manufacturer for return of his money. The manufacturer wrote: "We find your money entirely satisfactory, and therefore decline to return it."

Did you know that the third hand on a watch is the second hand.

We wonder -- What shape would they make chairs if our knees bent the other way???

Oy Vay!!!!



"The World Administrative Radio Conference, meeting since late September in Geneva, has now finished its work, with favorable results for amateur radio. In the bands below 30 Mhz, all present allocations are retained and there will be three new worldwide bands. They are 0.100 to 10.150, 18.068 to 18.168, and 24.890 to 24.990 mhz. In the 10 Mhz band amateurs will be allowed to operate if they do not cause harmful interference to fixed service stations operating in the band. Amateurs may be permitted in this shared band as early as January 1, 1982. The 18 and 24 Mhz bands will be exclusive, but before amateurs may operate here the existing fixed service stations must be moved to new assignments elsewhere in the spectrum. This transition will occur between July 1, 1984, and July 1, 1989. Amateur operations will likely be allowed to commence sometime during that period. In most of North and South America, including the U.S. and Canada, amateurs will enjoy exclusive use of the bands 1.800 to 1.850 and 3.500 to 3.750 Mhz, which are presently shared with other services. In both cases, the remainder of the band continues to be available on the present shared basis. There were no changes to the allocations at 7.000 to 7.300 Mhz. Amateurs in Region 1 will have a new narrow, exclusive allocation in the 1.8 Mhz band, 1.810 to 1.850 Mhz in most countries and 1.830 to 1.850 Mhz in others.

Above 30 Mhz the amateur and amateur-satellite services also did well. Several new amateur-satellite allocations were made between 1260 Mhz and 10.5 Ghz, all on the condition that harmful interference is not caused to other services. They are 1260-1270 Mhz, uplink only; 2400-2450 Mhz; 3400-3410 Mhz, limited to Regions 2 and 3; 5650-5670 Mhz, uplink only; 5830-5850 Mhz, downlink only; and 10.45-10.5 Ghz. For the amateur service in Region 2, a new secondary, shared allocation was made at 902-928 Mhz. The band segment 1215-1240 Mhz was withdrawn from the amateur service to protect a new radionavigation satellite system from interference. No other changes in present allocations above 30 Mhz should affect U.S. amateurs. Several new amateur and amateur-satellite bands were designated in the largely unexplored spectrum above 40 Ghz." "A comprehensive report is in preparation for Feb. QST."

\* \* \*

TID BITS

Congratulations to Jesse Bieberman, W3KT and Hugh A. Turnbull, W3ABC elected to the office of Atlantic Division Director and Vice-Director respectively.

The Pack-Rats also extend their best wishes to Harry A. McConaghy, W3SW who served the Atlantic Division as director so well all these years.

Congratulations are in order to Walter Bohlman, K3BPP and his bride Candice when they tied the knot on December 1, 1979.

Jim Holt, N3AHI did an outstanding job in organizing and assembling (with the help of W3HQT) the contest package.

K3HIN, Rick Albert advises that the HARC repeater on 146.685 Mhz is used to broadcast the weekly HR Report on Thursday evenings at 8:30 PM. Rich is usually the announcer.

George Kugler, WA3SPR runs an AM (Ancient mod) net daily from 8-9AM and 4 to 5 PM on 145.530 Mhz. George is also interested in knowing if there are others in the area that would get on slow scan ATV on 2 or 6 meters.

John Allen, W3CXU reports technical improvements for the W3CXU/WLJR 15 element 1296 loop Yagi have been completed. Send a 4x11 SASE to W3CXU for a copy. Address: 1119 Highland Ave., Abington, Pa. 19001.

Donna and Greg Adams (WA3UXM) presently on duty with the U.S. Marines in San Diego are expecting sometime in the Spring. They expect to return to this area in the near future.

The following have been at the local hospitals on Christmas Day accepting messages from patients to go via amateur radio to their loved ones: K3MXM, Lee Cohen at the Abington Memorial Hospital for the 17th year! K3HIN, Rick Albert at St. Marys Hospital; K3KVS, Jerry Polin at the Shriners Hospital; WA3INW, Bob Field at the Holy Redeemer Hospital.

Howard Fretz, K3EPB celebrated his birthday on Christmas Day. Many more OM.

A number of Pack-Rats have not returned the questionnaire which was included in the August Cheese-Bits. We need the information.

The Philmont Radio Club runs a code practice session on Tuesday evenings from 8 to 9 PM on their repeater 147.63/03. AK2I, Jake is control and will set up the requested speed. Thanks, W3HFY.

(CONTINUED ON PAGE 10 )

TID BITS CONTINUED

The Board of Directors has authorized special awards for the Pack-Rat contest on the January VHF SS 1980. The awards committee as follows:

WA2DPU - Chairman  
W3KKN  
W3HQT  
K3MWV

Dates to Save: Mark your 1980 calendar now with the following dates: May 17, 18 for the 6th Annual Eastern VHF/UHF conference at the Sheraton Inn, Boxborough, MA. August 24, 1980 for the Mt. Tom VHF Picnic and Annual Meeting at the Mt. Tom State Reservation in Holyoke, MA. Tnx Northeast VHF News.

The Northeast VHF News is published six times per year for the benefit of VHF/UHF microwave operators located in the northeastern part of the US and neighboring Canada. Dues in the NEVHF Association are \$3.00, payable in September, which covers the cost of printing and mailing the newsletter. Membership applications and editorial submissions should be sent to: L.D. Collins, W1GXT, 10 Marshall Terrace, Wayland, MA 01778

\* \* \*

From HR Report Number 282 of December 21, 1979

ICELAND WILL BE ON 6 METERS through December 31 only, with TF3SG operating with a just-issued temporary permit. Probable frequency will be 50.025, CW and SSB. TF3SG's permit allows operation between 50.0 and 50.1, and should be on the air no later than Christmas Day. Thanks W1JR.

YUs WILL BE ON 6 METERS by next month, several Yugoslavian Amateurs have told VE1AVX. CO7JB has been working the West Coast recently on 50.86 using AM, and EI2W continues to work across the U.S. almost daily. EI2W checked into SMIRK's 6 meter Saturday morning net December 8, when he heard NCS K5ZMS reading comments EI2W had made at his inauguration address as President of the Irish Amateur Radio Transmitting Society in 1961! SMIRK's net meets on 50.2 every Saturday at 1600Z.

PY2XB WORKED EA3XS CROSSBAND December 17, heard the ZB2VHF beacon a little later and again on the 18th. EA3XS has been working into the East Coast himself on 50 Mhz, (Cheese-Bits editors note: W3KKN, Ernie Kennas reports working EA3XS who was using only 100MW. on 50 Mhz)- and CN8AK has been working hard on getting permission to operate on 6. As of December 12 G3FXB reports he'd worked 45 states crossband from 28 Mhz; G4BPY is close behind with 43. G3SSO is hearing 59 Mhz Canadian TV Audio often, with TV video from the U.S. above 61 Mhz also breaking through. Thanks SMIRK.

\* \* \*

During the past weeks of good 6 meter band conditions a large number of Pack-Rats worked many cross-band (6 to 28 Mhz) DX stations mostly in Europe.

\* \* \*

The editor wishes a HAPPY NEW YEAR to all the Pack-Rats and their friends.

215-947-6670

# MARKETLINE™

SYSTEMS, INC.  
2337 Philmont Avenue  
Huntingdon Valley, Pa. 19006  
Computers for Hobbyists



## AMERICAN RADIO RELAY LEAGUE

HARRY A. McCONAGHY, W3SW/W3EPC  
DIRECTOR, ATLANTIC DIVISION

8708 FENWAY DRIVE - POTOMAC  
BETHESDA, MARYLAND, 20034

NE 7-8329

GEORGE S. VAN-DYKE, JR., P.E.  
CONSULTING ENGINEER

W3HK

4607 CONVENT LANE  
PHILA., PA. 19114



AMIL S. GUMULA  
PRESIDENT

A. G. RADIO PARTS CO.  
939 TOWNSHIP LINE RD.  
ELKINS PARK, PENNA. 19117  
TELEPHONE: 215-886-5100

**RCM** Authorized  
Distributor

HOURS  
CLOSED MONDAY  
TUE. & THUR. 9:30-6:00  
WED. & FRI. 11:30-9:00  
SAT. 9:30-5:00

(215) 723-1200  
(215) MI 6-2511

### ELECTRONIC EXCHANGE

ALL TYPES OF HAM GEAR & ELECTRONIC EQUIPMENT  
BOUGHT, SOLD, TRADED & REPAIRED

GORDON R. KITTEL  
W3GK

136 N. MAIN STREET  
BOUDERTON, PA. 18964

AMATEUR & CB RADIO (215) OL 9-5900  
SALES & SERVICE

**"HAM" BUERGER INC.**  
Communication Specialists

BOB HERSHMAN 68 N. YORK RD.  
WA3ZID WILLOW GROVE, PA. 19090

Fine Printing For The Radio Amateur  
Custom Printed QSL Cards Since 1969

### K2RPZ PRINT

**stu goodman**

Birth-Wedding & Bar Mitzvah Invitations  
Raffle Books-Rubber Stamps-Tickets-Bumper Stickers  
Business Cards-Letterheads-Envelopes

15167 744-6260

P.O. BOX 412  
ROCKY POINT, N.Y. 11778

Write for FREE COPY of any of our publications.

**The Ham Radio Publishing Group**  
GREENVILLE, NEW HAMPSHIRE 03048

Exit I-95 at Scotch Rd. South  
Al & Hank (WB2GWF)



**the BARGAIN BROTHERS**  
PHOTO & ELECTRONIC SURPLUS

CONSTANTLY CHANGING INVENTORY LOWEST PRICES

Glen Roc Shopping Center  
216 Scotch Road  
Trenton, N.J. 08618

(609) 883-2050

K3KTY

67-7130

K3MNV

BROWSING-THURS. 7<sup>00</sup> to 9<sup>00</sup>  
SAT. 9<sup>00</sup> to 4<sup>00</sup>

Day-Nite (215) 455-2121

### TRANSPORT EQUIPMENT COMPANY

"EVERYTHING FOR THE TRUCK"

JOHN A. TATE  
President

2215 - 2217 Race Street  
Philadelphia, Pa. 19103

### THE KENRICH CORPORATION

ELECTRONICS

RICHARD H. PIERCE  
VICE PRESIDENT

P. O. BOX 852  
LANGHORNE, PA. 19047  
(215) 946-4989

### FERTIK'S ELECTRONICS . . . . .

Components & Equipment

LEON FERTIK

5400 ELLA STREET  
PHILADELPHIA, PA. 19120

CAR STEREO - CITIZENS BAND - BURGLAR ALARMS  
2 WAY RADIO - TOWER INSTALLATION & REMOVAL  
TV - HAM - CB ANTENNAS

**Steve Simons**

MOBILE EQUIPMENT INSTALLATIONS  
SALES & SERVICE

WA3WAS

TEL. (215) RA 8-1138

8808 KENDRICK PL.  
PHILA., PA. 19111

215-276-4185

WA3FOF

RALPH ALEXANDER

Electronic Equipment Repair  
Technical Writing  
Printing

(215) RE 9-8616

### City Communication Center

Amateur - Commercial - Marine

BUY SELL TRADE

Sales - Service - Installations

Joe - WB3GEL  
Tony - K3UKW

2823 Kensington Avenue  
Philadelphia, Pa. 19134

People who look for peace get it.

—Guru Maharaj Ji

For information contact:

DIVINE LIGHT MISSION (DUO)  
6037 Overbrook Ave.  
Phila., Pa. 19131  
Office: 215- GR 7- 2800

1 Year = \$18  
3 Years = \$36

# 73

**magazine**  
for radio amateurs

PETERBOROUGH, NEW HAMPSHIRE 03458

RESIDENTIAL

COMMERCIAL

### SHAVNEY LANDSCAPING

DIVISION - SHAVCO, INC.  
111 S. EASTON ROAD  
GLENSIDE, PA. 19038

PETER H. SHAVNEY, WA3OVH

886-1859

**"HAM" BUEGER, INC.**  
Electronic Equipment Distributor  
"Right in the middle of a lot of good company!"

If we're  
judged by the  
company we  
keep, we should  
do pretty well!

68 N. YORK ROAD  
WILLOW GROVE, PA 19090  
215-659-5900  
Service Since  
1956

AMPHENOL    SPRAGUE    TELEX

CUSHCROFT    TAB BOOKS    TEN-TEC

NPG    TRW    VIBROPLEX

South River    BEANCOF    "W2AU"

Larsen Antennas    HAM-KEY    ROHN

ASTATIC    Miller    Saxon

GDR    nte    ICOM

GILFER LMB    Weller    Waldom

TPI    Misco    Hustler

Vector    AMCO    SWAN

Cover Craft    AMP SPECIAL INDUSTRIES

Wilson Electronics Corp.

Xcelite

**Cheese Bits**  
2087 Parkdale Ave.  
Glenside, Pa. 19038

PHILADELPHIA, PA  
PM  
DEC 30  
1978



WA3WAS, STEVE SIMONS  
8506 KENDRICK PLACE  
PHILA., PA. 19111

**PACK RATS**

**FIRST CLASS**