

# PACK RATS'



## PACK RATS

CLUB CALL: W3CCX

MT. AIRY VHF RADIO CLUB, INC.

# CHEESE BITS



MT. AIRY VHF RADIO CLUB, INC., PHILADELPHIA, PA.

ARNS

50.125, 144.50, 432.110, 1296.025 Mhz, WR3ACD - Repeater 222.98/224.58 Mhz

Affiliated Club: AMERICAN RADIO RELAY LEAGUE

Meetings: Third Thursday of each month at 8:00 P.M.

Southampton Free Library, 947 E. Street Road  
Southampton, Pennsylvania 18966

VOLUME XXIII

MAY, 1981

NUMBER 5

### THE PREZ SEZ

The Packrat Banquet is the place where we honor our members for their efforts during the past year. These efforts include both outstanding contest activity and service to the club but is limited to only a few. There are, however, many others who contribute to the club and it's success that I want you to remember for their large and small efforts. Without their efforts, the things we take for granted would soon be very obvious by their absence. The board of directors take a lot of time during the monthly director's meetings going over every detail of club business - it takes them away from their families and off the air for a while. There are also many committees involved with the operation of the club - here are a few and all of them take effort from the guys - Membership, Health and Welfare, Hamarama (including ticket selling, parking, etc.), VHF Convention, June Contest, Repeater, Refreshments, January Contest, Constitution Amendment, Packrat Banquet, Auditing, Nominating, Awards, etc. It really takes a list like this to remind you of all of the things that must be done to keep the club running smoothly. In addition to these committees, there are numerous other items that come up from time to time that require time and effort from someone. I'd list the names of everyone that helps out, but I'd miss a name or two so I'll play it safe and just remind you that everyone of the club activities takes place because of outstanding effort by someone. Think of it when you're drinking coffee at the back of the room after a meeting or walking down the rows of sellers at Hamarama - it's all possible because of the hard working effort of your fellow Packrats. We're always interested in more help - especially for those things you say "... Why doesn't the club do....?"

I'd like to thank George, W3HK, for last months program on Boating on the Delaware and remind everyone of coming events - ARRL Night in May with W1XX from the Communications Department, Elections in June and the first outdoor meeting (White Elephant Sale) in July.

73,

Harry, W3IIT

\* \* \*

### IN MEMORIUM

K3IQO, Stanley Umin - Silent Key April 15, 1981  
May his soul rest in peace.

CALENDAR OF COMING EVENTS  
Syllabus by Lee, K3MXM

MAY

- 1 Admiral Dewey's Victory at Manilla 1898 - okay you history buffs, what was the name of his ship and what famous words were uttered???
- 2 SATURDAY NITE - Pack Rat Banquet and Twenty Fifth Birthday Celebration. Warrington Motor Lodge, Rt. 611, Warrington, Pa. 6:00 P.M. A fabulous evening with open bar, a fine meal, music, dancing and fellowship celebrating the Club's 25th Birthday. Come on and join the celebration, many surprises, both for you and the XYL. Special pictures of the ole timers and your chance to see the original owner of the Club's Memorial Call, W3CCX, Matt Gelardi. Hurry and get your reservations to Doc, K3GAS, before we are sold out and must close the seating!!
- 2 DeVry Technical Institute Hamfest, Woodbridge, N.J. Info: Frank, WB2JKU.
- 2-3 County Hunters SSB Contest
- 3 The Warminster ARC HAM-MART: Middletown Grange Fairgrounds, Penns Park Road, Wrightstown, Pa. Just off Rt. 413 near 2nd St. Pike. Many, many prizes, FM Clinic, Auction, Food. Info: Mark, WA3QVU - 215-657-7295.
- 6 The "Buckaneers" have moved their luncheon get-together back to the Buck Hotel.
- 8 V-E Day WW II
- 10 Mothers Day
- 14 Board of Directors Meeting, QTH: Dave Zimmerman, W3ZD, 520 Centennial Rd., Warminster, Pa. 215-675-4539. Directors and club members invited to attend. Share your thoughts and ideas with your leaders.
- 15-16 Rochester Hamfest, Atlantic Division Convention, Wouff-Hong Ceremony, Monroe County Fairgrounds, Info: Hamfest, P.O. Box 1388, Rochester, N.Y. 14600.
- 16 QCWA, Delaware Valley Chapter Dinner Meeting, Warrington Motor Lodge.
- 16-17 7th Annual Eastern UHF/VHF Conference, Boxboro Sheraton, Mass. Saturday presentations on microwaves, antennas, propagation, 1296, 2300 modes. Saturday Evening: A New England Style Banquet. Sunday: Antenna measuring especially units for 23 and 70 cm. Info: W1JR.
- 17 Tamaqua ARC Hamfest, FOP Grove, Tamaqua, Pa. Info: Tony, W3CMA
- 18 Canada Victoria Day
- 21 General Club Meeting, Southampton Free Library, Street Road, Southampton, Pa. 8:00 P.M. ARRL NITE. Guest speaker from the League. W1XX, John F. Lindholm, Communications Manager. Here is your opportunity to hear from the Leagues representative and to give him your feedback, especially on the raising of the dues, the rewriting "into plain language" of all the rules and regulations. You will be surprised what you can lose and may lose and how the FCC is moving in as a bigger brother. Let him know how you feel about how contests are run and your general opinions, good or bad, on League Operations. The Mario Raffle, Frankie's Silent Auction, Refreshments. A very important meeting and especially open to all other area clubs and their members. We would like a large showing from the Phila. area, so please talk it up, bring your friends and other hams.....

SWAP SHOP

FOR SALE: SB301 & SB401 includes all rcvr filters & transmit xtal pack (so tx can operate without rcvr). Output for transmitter \$400. Viking II & VFO - \$75.00

CONTACT: Richard Prim, WA3IWT  
Phone: 215-355-1192

FOR SALE: Knight R55 rcvr - 5 bands including 6 mtrs. \$35. Motorized or manual mimeo machine w/supplies \$20. White pine shelving-well seasoned w/hardwood front edge - 39 in. x 12 in. x 5/8 in. thk - \$1.50 ea. Portable stereos \$10 to \$25. Home stereos \$35. and up. New records & 8 trk tapes. 50¢ ea. TV games, remote control racing cars (porsche, trucks, boats, front end loader, etc.) 1/4" reel to reel tapes, 3 1/2 in. 5 in., 7 in., 50¢ ea. Antenna parts, other parts galore. Come and browse, by appointment.  
CONTACT: Doc, K3GAS, Phone: 215-635-1078 after 1:30 P.M.

\* \* \*

Canton, CT. April 4, 1981

K3GAS

Dear Doc:

When I saw the information in Cheese Bits about the 25th Anniversary I felt that this was something we should come to. I'm not sure just when I first came to a Pack Rat meeting, but I know that it was quite early in the Club's history. I wonder if there are minutes that would give this information?

In any case, I visited the club frequently, almost yearly, during my tenure as VHF Editor of QST, as well as several times after my alleged retirement, in 1972, at age 65. It has been a very happy association, on all counts, and one that I hope I may be able to continue for some time, yet, but one never knows, when "73" has both pleasant and serious meanings!

If your program chairman will give me a couple of minutes I'd be glad to say a few words appropriate to the occasion. I won't take long. Leitha and I are certainly looking forward to being there.

73, Ed Tilton, W1HDQ  
(41 yrs. on the QST Masthead)

EDITORS NOTE: We are researching the minutes - might have an answer when we see you on the 2nd of May.

\* \* \*

FROM THE EVENING BULLETIN FRIDAY APRIL 17, 1981  
Stanley Umin, Electronics Engineer

Stanley Umin, an electronics engineer, died Wed. in Lower Bucks Hospital. He was 51 and lived at 224 Park Ave., West Bristol.

Mr. Umin was owner of Umin Electronics, an electronics service firm with branches in West Bristol and at 600 Porter St., South Phila. He also was inventor of the Umin Eye, a patented radiation detector used on television sets.

He was on the board of directors of the Delaware Valley Computer Club and a member of the Pack Rats, an amateur ham-radio club. A past commander of Flotilla No. 13-02 of the Coast Guard Auxillary, Mr. Umin also was a member of the Leonard Forman Lodge No. 782 F&AM and the George Washington Consistory.

He is survived by his wife, the former Frances Terlitzky; a son, Harry; two daughters, Cheryl and Lynn; a brother and a sister.

\* \* \*

From HR report.... QST'S CONTEST EDITOR Tom Frenaye, K1KI, has resigned from the League headquarters staff to go into private business. His slot is being taken over by Mark Wilson, AA2Z.

\* \* \*

To W1HDQ - Ed, you were the speaker of the evening at our meeting on May 27, 1958. Your topic was " Getting the Most out of Ham Radio ".

CALENDAR OF COMING EVENTS CONTINUED

MAY

DUES ARE DUE - LAST CALL!!!!

- 24 Famous Brooklyn Bridge opened in 1883 - Wonder how many times this has been sold and how many proud owners will step forward....
- 24 Reading ARC Hamfest - Hamburg, Pa.
- 25 MEMORIAL DAY
- 31 Maryland FM Association Hamfest - Howard County Fairgrounds, Md. Happy 50th Anniversary to The Rochester Radio Association and their fine paper RARA RAG. Looking for you in January.
- 31 There will be a special station operating from the U.S.S. Olympia (Dewey's Flagship now berthed in the Delaware River) on 40, 20 and 15 meters from 9 AM Saturday until Sunday 4:30 PM. Special certificate available.

\* \* \*

VISITORS APRIL 16, 1981 MEETING

Ex-K3EMR, Gus, Elkins Park, Pa.  
Coast Guard Aux. Phil Mendler, Phila., Pa.  
N3BHS - John Blubaugh, Norwood, Pa.

WA2UVB/WA7UJW, Gene Bond, Moorestown, N.J.  
KA2CQX, Janice Bond, Moorestown, N.J.  
WB3EFO, Ed Lee, Huntingdon Valley, Pa.  
W3AJS, Ed Keener, Oreland, Pa.

CHANGE OF ADDRESS:

K3AUH, Alan Ruben  
3000 Valley Forge Circle, Apt. 253  
King of Prussia, Pa. 19406  
WA3NFV, Daniel L. Mitten  
2106 Marshall Crt., Lansdale, Pa. 19446  
215-362-9269

NEW LOCATION OF FCC FIELD OFFICE:

1 Oxford Valley Mall  
2300 East Lincoln Highway  
Room 404, Langhorne, Pa. 19147  
215-752-1323, 1324

ANNOUNCEMENT

Attention N.E. Philadelphia Radio Amateurs. Dutch Treat Lunch-N-Beer Eyeball. 2nd Saturday of month at 12:00 noon. HB's Pub & Club, North on Roosevelt Blvd. between Cottman (Rt. 73) and Tyson, Next to K-Mart. Plenty of Free Parking. Ham Radio operators either club affiliated or not and their friends are invited. Contact: Al, W3AYJ. Phone: 725-2869. Talk-In 146.685.

\* \* \*

ANOTHER TOWER PROBLEM

Bob Wilderman, K3SRO moved into a single house development about two years ago and put up an antenna tower unaware that there was a deed restriction. He did, however, obtain a permit from the township authorities and commensed to enjoy ham radio operation.

There were building deficiencies with his new home and the usual owner to builder hassels began culminated by a law suit by the builder citing the covenant restriction. The builder won in court with a cost to Wilderman of \$2300. Bob now decided to appeal the judges' decision and it will take about \$1300 more for legal fees.

K3SRO needs our help! If you would care to contribute to his legal fund, send your check to: Robert N. Wilderman, K3SRO, 19 Glen Road, Lansdale, Pa. 19446.

\* \* \*

We are proud to announce that the club paper "CHEESE-BITS" received an "EXCELLENT" award in the recent ARNS PUBLICATION CONTEST.

W3KKN, Ernie Kenas underwent open heart surgery on April 24, 1981. We are happy to report that all is going well.

"PLAIN LANGUAGE" FCC Amateur Service Rules - A Quick Overview

By Jim Holt, N3AHT

On December 19, 1980, the FCC released it's proposed "Plain Language" rewrite of the Rules & Regulations pertaining to the Amateur Radio Service, publishing same in the Federal Register. Somehow, (don't ask), W3CL obtained a copy and asked me to read it over for comment in Cheesebits (exclusively, I might add). Having done so, the long & the short of it is - not bad! But, don't stop reading because there are some items you should be very much aware of, should this document be adopted this Summer without substantial change.

First, the good news: Surprisingly, with only a few exceptions, each section is very understandable. Further, the FCC proposes as a part of this package, to completely eliminate logging requirements (certainly, logging is nonetheless a good practice, but would become optional with you, the licensee).

Now, the bad news: Charlie will require that each of us has on file at our stations a current copy of the rules at all times (I gather from this that they are going into the magazine business). Additionally, we'll have to keep and maintain a permanent file containing the following: 1. A copy of each letter sent the FCC telling them of an address change. 2: Your license. 3. A copy of each answer to an FCC discrepancy notification. 4. Each written permission you receive from the FCC (STA's & such). 5. A copy of any other correspondence to or from the FCC. There are additional file requirements if you operate a repeater...(isn't that just great, Ron?) The FCC staff would have the right to inspect your station at any reasonable time. (They define reasonable as the normal business day or any time your station is transmitting or just finished transmitting!) No Warrants or other legal documents would be required...if you're a bad guy or under scrutiny as a possible bad guy, they could come in and check you out while that shack mounted heat source is still glowing. Lastly, the subsection on permitted antenna heights is murkier than the present regulations, and obviously (at least to me), will need rework.

Once again, I am impressed that overall, the Staff has done a commendable job. The proposed new rules are easier to understand. As you might imagine, the ARRL is watching the proposal closely, having read it word for word and providing inputs to the FCC where clarification is needed - be sure to watch QST for further developments. However, it's my opinion that this document will be adopted without major change. In that event, get your checkbooks open guys, Charlie will soon require your subscription to their new Ham magazine "Part 97" - no exceptions.

\* \* \*

MODIFICATIONS OF INTEREST TO IC-551/551D USERS  
MARS OPERATION WITH THE IC-551/551D

The following modification will allow additional operation between 49-50 Mhz with the ICOM IC-551/551D. Refer for figure 1, PLL unit drawing, and comments below and carefully perform the modification.

ICOM AMERICA, INC. ASSUMES NO LIABILITY FOR DAMAGE CAUSED BY OR WHILE INSTALLING THIS MOD.

1. Remove cover from PLL unit.
2. Locate R-5 in PLL (See Fig. 1) and cut the top wire.
3. Insert a 4.7K ohm 1/4 watt resistor in series with the cut leads of R-5. An alternate to this is to replace R-5 with a 4.7K ohm resistor.
4. Run a wire from pin 11 of IC-1 (See Fig 1) to a user installed SPST switch. (Location of switch is up to individual but should be located so that wiring is away from transmit RF circuitry.)
5. Wire from the other side of the SPST user installed switch to ground.

When the user installed switch is open, the radio will function normally. When the switch is closed, the radio will operate from 49-50 MHz when the display reads 50-51 MHz.

MORE IMPROVEMENTS FOR THE PACK-RAT 2 METER TRANSVERTER

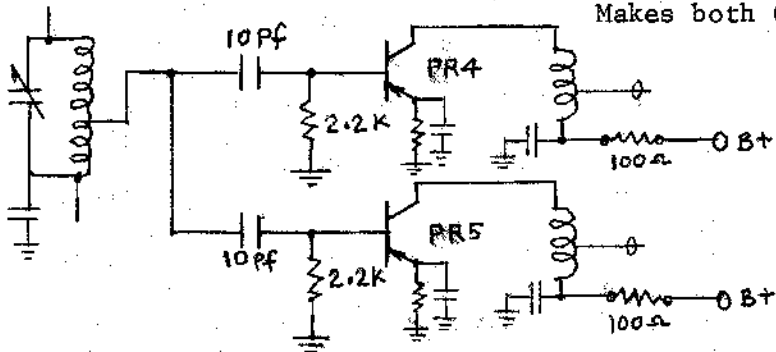
Receiver Converter: L3 - move tap to 1 turn from ground end.

PR2 - change 47K resistor from G2 to ground to a 6.8K

This reduces IF gain and reduces overload from strong signals.

Local Oscillator- 38 MHZ version: Disconnect output of L7 and tap it about 4 turns from ground end. You may need 20pf more across the oscillator coil to make it tune.

Change circuit of both PR4 and PR5 to look like below. Makes both Class "C" stages.



The FM station you may hear around 28.750 MHZ is Channel 6 Sound at 87.75 MHZ on the image of the receiver. An input filter or trap will probably eliminate it.

----- Richard Prim, WA3IWT -----

\* \* \* \* \*

MODIFICATIONS OF INTEREST TO IC-551/551D USERS

ICOM AMERICA, INC.

December 4, 1980

Mr. Gordon Wightman  
3637 Victoria Ave.  
Regina, SK 24T 1M4

Dear Mr. Wightman:

The noise blanker in the IC-551D is a different noise blanker from that provided in other ICOM radios.

It utilizes a one shot vibrator, designated as IC8 on the schematic diagram. The output pulse width of this vibrator may be controlled by increasing the value of R71. Our experience has shown that a small potentiometer of approximately 50K would provide sufficient range to lengthen the pulse to a value that will provide additional blanking.

Please be advised, however, that too much width will cause distortion of the received audio.

Thank you very much for using ICOM. Let me know if I can be of assistance.

Best Regards,

Tom Snellings  
Service Manager

(permission was granted to reproduce the above information)

## BITS OF PACKRAT HISTORY

Minutes of Organization Meeting  
May 15, 1956

On the evening of May 15, 1956 a group of Hams met at the QTH of Oscar Jacoby, W3FSC, for the purpose of organizing a VHF Club.

After serious discussion and the views of each Ham present taken into consideration, the following principles were adopted.

1. Membership shall be by invitation only, and a limit to be set.
2. To qualify for membership a Ham must be active on the VHF bands, 2 meters and up.
3. The purpose of the Club shall be to promote interest in VHF activity and improvement of existing equipment.
4. To help one another, join in any club sponsored event 100%.
5. The club shall meet once a month.
6. The club frequency shall be 144.2 MC. and members shall be provided with crystals.
7. W3IBH was appointed president and W3SAO secretary.

CHARTER MEMBERS AS OF MAY 15, 1956: W3CL, W3FSC, W3IBH, W3SAO, W3CPT, W3HWV, W3NKD, W3ZEY, W3DHH, W3HYO, W3RZU.

Refreshments were provided by W3IBH and W3FSC. Free will offering collection: \$4.50.

Respectfully submitted by,

Francis D. Brick, Secretary

NOTE: W3KKN was out of town - came to the June meeting.

First meeting place: Cheltenham Hills Recreation Center, Upsal & Lobar Sts., Mt. Airy, Phila.

DIRECTORS' MEETING held at QTH of W3TYX, Bud McCollom, October 10, 1956.

First Picnic: August 12, 1956 at Fort Washington State Park, Flourtown, Pa.

Our speaker for the October meeting was W2BDS, Mike Ercolino, of Telrex.

CHARTER COMMITTEE: W3CL, Harry Stein, W3CPT, Ken Harrison, W3FSC, Oscar Jacoby, W3KKN, Ernest Kenas, and W3SAO, Frank Brick.

Winners of the first donations were: W3OZP, Bill Miller and W3QAS, Lyn Rowland, Sr. Telrex Beams donated by W2BDS.

Winner of first lapel pin: W3NSI, Lyn Rowland, Jr.

MEMBERSHIP COMMITTEE: W3KKN, Ernest Kenas, W3NKD, Vic Lees, and W3RZU, Elie Collusi.

FIRST LADIES NITE: November 14, 1956 held at the Cheltenham Hills Recreation Center. Coffee and home made cakes were provided and served by the Ladies.

CONSTITUTION AND BY-LAWS adopted on September 25, 1956

CONTEST MEETING: December 19, 1956  
Chairman, W3KKN, Ernest Kenas

SPECIAL MEETING: September 25, 1956, for election of officers.

RESULTS: PRESIDENT: W3FSC, Oscar Jacoby  
VICE-PRES: W3ZEY, Russ Widger  
SECRETARY: W3SAO, Frank Brick  
TREASURER: W3CPT, Ken Harrison  
DIRECTORS: Two Years

FIRST VHF SS SCORE: 50,177 points- 27 members participating. Third place. W3KKN, Hi-Scorer

W3IBH, Charles Clements  
W3KKN, Ernest Kenas  
One Year

OFFICIAL PACK-RAT NET: Monday Nites on 144.2 W3SAO, Frank Brick and W3ZEY, Russ Widger net controls.

W3CL, Harry Stein  
W3TYX, Bud McCollom

PICNIC COMMITTEE: W3SAO, Frank Brick, W3HYO, Len Ciucci and W3FOZ, Charley Koelsch.

## PAST PRESIDENTS

\* 1956 - - W3IBH, Charles Clements (Appointed)  
\* 1956 - 1957 - W3FSC, Oscar Jacoby  
# 1957 - 1958 - W3OZP, William Miller  
1958 - 1960 - W3CL, Harry Stein  
1960 - 1961 - W3HKZ, Edward Kushner  
1961 - 1962 - W2AXU, John Power  
1962 - 1963 - K3IUV, Bert Soltoff  
\* 1963 - 1964 - K3HWZ, William McCutcheon  
1964 - 1966 - K3GAS, Doc Cutler  
1966 - 1967 - W2EIF, Joseph Kilgore  
1967 - 1968 - W3LHF, David Zimmerman (W3ZD)  
1968 - 1969 - K3HSS, Charles Lustick  
1969 - 1970 - W3KKN, Ernest Kenas  
1970 - 1971 - K3JJZ, Elliott Weisman  
1971 - 1972 - W3CJU, Donald Hampton  
1972 - 1973 - K3BPP, Walter Bohlman  
1973 - 1974 - W3FQD, Richard Huntzinger  
1974 - 1976 - WA3AXV, Ronald Whitsel  
1976 - 1977 - K3MXM, Lee Cohen  
1977 - 1978 - W3HMU, Anthony Souza  
1978 - 1980 - W3HQT, William Olson \* Deceased  
1980 - 1981 - W3IIT, Harry Brown # Resigned

\* \* \* \*

Our first "Silent Key" was Mathew Gelardi, W3CCX who died February 4, 1958. We obtained permission from his family to memorialize W3CCX as a club call. Application was made to the FCC and the license came through dated July 30, 1959.

The Club was affiliated with the ARRL March 25, 1957.

\* \* \* \*

The club since its formation has traveled an exciting road from transistors to space communications; IC's and computer techniques. Many of our members have contributed materially to the advancement of the foregoing technologies.

The club has worked diligently in promoting activity in the VHF/UHF bands. An outstanding effort was the EME expedition to Columbia, South America which received worldwide acclaim. Sponsorship of our HAMARAMA and the MID-ATLANTIC STATES VHF CONFERENCE has been an outstanding success.

The test of our equipment and operating skills comes during the ARRL JANUARY VHF SS and the JUNE VHF QSO PARTY. We have been world champions in the VHF SS for 21 years.

Much club business is conducted on our Monday night nets which have been active since 1958. We cover five bands from 50 Mhz up to 1296 Mhz. Our 220 Mhz repeater serves as a club intercom as well. We are looking forward to many more years of outstanding club progress in the VHF/UHF communication spectrum.

So 25 years has gone by and we will celebrate the event on May 2, 1981. Good luck PACK-RATS!



215-947-8670

# MARKETLINE™

SYSTEMS, INC.  
2337 Philmont Avenue  
Huntingdon Valley, Pa. 19006  
Computers for Hobbyists



AMERICAN RADIO RELAY LEAGUE  
HARRY A. McCONAGHY, W3SW

8708 FENWAY DRIVE - POTOMAC  
BETHESDA, MARYLAND, 20034

NE 7-8329

GEORGE S. VAN DYKE, JR., P.E.  
CONSULTING ENGINEER

W3HK

4807 CONVENT LANE  
PHILA., PA. 19114



AMIL S. GUMULA  
PRESIDENT

A. G. RADIO PARTS CO.  
939 TOWNSHIP LINE RD.  
ELKINS PARK, PENNA. 19117  
TELEPHONE: 215-686-5100

**RCA** Authorized  
Distributor

## K2RPZ PRINT

*stu goodman*

Distinctive QSLs-Largest selection, lowest prices, top quality photo and completely customized cards. Make your own QSLs truly unique at the same cost as a standard card, and get a better return rate! Free samples, catalogue. Stamps appreciated. Stu, K2RPZ, Box 412, Dept. PR, Rocky Point, NY 11778. (516) 744-6260

AMATEUR  
SALES & SERVICE

(215) OL 9-5900

**"HAM" BUERGER INC.**  
*Communication Specialists*

BOB HERSHMAN  
WA3ZID

68 N. YORK RD.  
WILLOW GROVE, PA. 19090

P E N N A R C  
A GENERAL PURPOSE CLUB

Monthly meetings the 4th Tuesday-8PM  
Montgomery County Community College  
340 DeKalb Pike, BlueBell, Pa.

CLUB REPEATER - 223.04/224.64 Mhz

Write for FREE  
COPY of any of  
our publications.

**The Ham Radio Publishing Group**  
GREENVILLE, NEW HAMPSHIRE 03048

CALL DOC CUTLER (K3GAS)  
FOR YOUR ELECTRONIC NEEDS

NEW, RECONDITIONED, OR AS IS.

LOW PRICES

by appointment

215-635-1078



Norm Richards Manager

Heathkit Electronic Center  
6318 Roosevelt Blvd.  
Philadelphia, Pennsylvania 19148  
(215) 288-0180

a unit of **Vertechnology**

TV - RADIO - HAM - CB - STEREO

**RICHARD H. PIERCE**  
ELECTRONIC EQUIPMENT REPAIR  
SPECIALIZING IN AMATEUR RADIO EQUIPMENT

K3MWV  
(215) 785-0058

2700 NEW FALLS ROAD  
NEWPORTVILLE, PA. 19056

BROWSING - THURS. 7<sup>PM</sup> - 9<sup>PM</sup>  
SAT. 9<sup>AM</sup> - 4<sup>PM</sup>

Day-Nite (215) 455-2121

**FERTIK'S ELECTRONICS . . . . .**

*Components & Equipment*

LEON FERTIK

5400 ELLA STREET  
PHILADELPHIA, PA. 19120

CAR STEREO - CITIZENS BAND - BURGLAR ALARMS  
2 WAY RADIO - TOWER INSTALLATION & REMOVAL  
TV - HAM - CB ANTENNAS

*Steve Simons*

MOBILE EQUIPMENT INSTALLATIONS  
SALES & SERVICE

WA3WAS

6506 KENDRICK PL.  
PHILA., PA 19111

TEL. (215) RA 5-1135

215-PI5-9007

WA3FOF

RALPH ALEXANDER

Electronic Equipment Repair

Technical Writing

Printing

(215) 723-1200  
(215) 646-2600



**CARR ELECTRONICS**  
AMATEUR RADIO GEAR NEW & USED FOR TODAY'S HAM

JOSEPH J. BURGESS  
W3PNL

MAIN & RELIANCE  
TELFORD, PA 18969

**73** magazine  
for radio amateur

73 stresses the fun  
of ham radio.

\$25 one year \$53 three years  
POB 931 • Farmingdale, NY • 11737

