

PACK RATS'

SCANNED TO PDF BY BERT, K3IUV



PACK RATS

CLUB CALL: W3CCX

MT. AIRY VHF RADIO CLUB, INC.

CHEESE BITS



MT. AIRY VHF RADIO CLUB, INC., PHILADELPHIA, PENNSYLVANIA ARNS
50.125, 144.150, 220.125, 432.110, 1296.110 MHz - W3CCX - Repeater 222.98/224.58 MHz
Affiliated Club: AMERICAN RADIO RELAY LEAGUE
Meetings: Third Thursday of each month at 8:00 P.M.
Southampton Free Library, 947 E. Street Road
Southampton, Pennsylvania 19886

VOLUME XXVI

JULY, 1987

NUMBER 7

THE PREZ SEZ

Hello from Maryland - the land of pleasant living. (Note: New Prez on vacation)!

I'd like to congratulate all the newly elected officers and directors. (see page 2)
We will do our best to uphold the Pack Rat tradition of excellence in all our endeavors.

Spruce Knob was a resounding success this year. We were on all bands up to 24 GHz and had two rovers out at the same time. More grids than ever were worked and the score was well over 600K. Many thanks to chairman Ron, WA3AXV for a job well done and to the crew of hard working and fun loving operators. The weather this year started out bad and turned to perfection as the start of the contest approached.

Anyone who was not present at the June meeting missed Ron WA3AXV's excellent slide show and video presentation of this year's expedition to Spruce Mountain. (which included rare film footage of JUDY GAP and MOON ROCK).

The July meeting and WHITE ELEPHANT SALE will be on Thursday evening July 16, 1987. It again will be held at the home of Dave, W3ZD - Zimmerman's Glen. Drag out those gems gathering dust in the recesses of your shacks and haul them to the meeting. I'll see you all there.

73 from FM 18

Bob, N2SB/3
Cabin 2, Matoaka
St. Leonard, MD 20685

SUBSCRIPTIONS TO CHEESE BITS NOW \$5 PER YEAR.

Pack Rats CHEESE BITS is a publication of THE MT. AIRY VHF RADIO CLUB, INC. Philadelphia, Pa. and is published monthly.

SUBSCRIPTION RATE - \$5.00 PER YEAR

We operate on an exchange basis with other publications. Anything that is printed in CHEESE BITS may be reprinted, unless otherwise stated, provided that proper credit is given.

SWAP SHOP ITEMS - NO CHARGE

DEADLINE FOR ARTICLES IS THE GENERAL MEMBERSHIP MEETING: THE THIRD THURSDAY OF THE MONTH.

EDITOR:

W3CL, HARRY B. STEIN
2087 Parkdale Ave.
Glenside, Pa. 19038
215-887-5052

PUBLISHER/SUBSCRIPTION MANAGER:

K3GAS, DOC CUTLER
7815 New Second Street
Elkins Park, Pa. 19117
215-635-1078

PRINTER:

WB2VLA, DAVID POWER
609-882-1040

TYPIST:

WA3TEM, MARSHA LISSAUER

TRUSTEE OF THE CLUB CALL - W3CCX:

WA3AXV, RONALD WHITSEL
215-355-5730

AWARDS CHAIRMAN:

W2EIF, JOSEPH KILGORE
609-783-9478

CLUB HISTORIAN:

W3CL, HARRY B. STEIN

MONDAY NIGHT NETS

7:30 PM - 50.125 MHz
8:00 PM - 144.150 MHz
8:30 PM - 222.98/224.58
8:30 PM - 220.125 MHz
9:00 PM - 432.110 MHz
9:30 PM - 1296.1 MHz

NET CONTROL

W3CL
W2EIF
K3GAS
KS2T/WB2NPE
WA2OMY/K1PXE
N3CX/WA3JUF/WA3NUF

PAVK RAT REPEATER 222.98/224.58 MHz -W3CCX
LOCATED IN CHURCHVILLE, PA.

OFFICERS: 1987 - 1988

PRESIDENT: N2SB, BOB COOK
VICE-PRES: N3CX, DAVE HACKFORD
COR. SECY: W3CXU, JOHN ALLEN
REC. SECY: WA3AQA, WALT ZUMBACH
TREASURER: K3GAS, DOC CUTLER
DIRECTORS:

WA2OMY, GARY HITCHNER (EX OFF)
WB3JYO, PAUL DREXLER (2 Yrs)
WB2NPE, RICK CONNOR (2 Yrs)
WB3DNI, PAT CAWTHORNE (1 Yr)
WB2VLA, DAVE POWER (1 Yr)

VHF CONFERENCE CHAIRMAN:

WA2OMY, GARY HITCHNER
215-539-6409

HAMARAMA CHAIRMAN:

WB3DNI, PAT CAWTHORNE
215-672-5289

THE AMERICAN RADIO RELAY LEAGUE

OST

HUGH A. TURNBULL, W3ABC
Director, Atlantic Division

6903 RHODE ISLAND AVE.
COLLEGE PARK, MD. 20740

(301) 927-1797

1-802-478-2757

AMATEUR
and
ADVANCED
COMMUNICATIONS

"Gisele"
K3WAJ

G. B. WALLS

3208 CONCORD PIKE (RT. 202)
WILMINGTON, DEL. 19803

Pennsylvania Institute
of Technology
ENGINEERING

PAUL D. MERCADO

Chairperson, Drafting Design Department

215-565-7900

Rose Valley-Notre Dame Campus
800 Manchester Ave., Media, Pa. 19063-4098

CALENDAR OF COMING EVENTS

by Harry Brown, W3IIT

JULY

- 4 Harrisburg Fire-cracker Hamfest, Bressler Fire Company Picnic Grounds. Talk-in on .52 or local repeaters. Info: Dave, KC3MG, 717-939-4957
- 5 Murgas Amateur Radio Club Hamfest, Coal St. Sports Complex, Wilkes-Barre, Pa. Talk-in on 146.61, 53.61 and 146.52.
- 9 Pack Rat Board of Directors meeting at the QTH of K3GAS in Elkins Park, Pa. Interested parties are always welcome. If lost call: 215-635-1078.
- 12 Penn Wireless Hamfest at the Buck's County Community College.
- 16 Pack Rat Annual outdoor meeting and White Elephant Sale and auction at the QTH of W3ZD - Zimmermans Glen, Centennial Rd. south of Street Rd., Warminster, Pa. Fun starts at 8:00 PM - bring chairs - refreshments will be served. Visitors invite
- 18-19 CQ Magazine VHF WPX Contest, 0000 UTC Saturday until 2400 Sunday.
- 19 SCARC '87 Hamfest sponsored by Sussex County ARC; at the Sussex Co. Fairgrounds, Plains Rd. off Rte 206. For info call K2OX at 201-663-0677.
- 26 BRATS Maryland Computer & Hamfest. Howard Co. Md. at the Howard Co. Fairgrounds, Rte 144 at Rte 32, adjacent to 170 in West Friendship.
- 25 License Exams will be held at the Wernersville State Hospital, 15 miles west of Reading on Rte 422. Check-in time at 8:30 A.M. Pre-registration by mail required. Send a No. 10 SASE to Reading Radio Club, RRC VE Team, P.O. Box 13777, Reading, Pa. 19612-3777.

NOTE: PLEASE MARK YOUR CALANDER FOR OUR NEW PICNIC AND SOCIAL MEETING ON SATURDAY AUGUST 15, 1987 STARTING AT 2 P.M. FAMILY AND FRIENDS INVITED. SWIMMING POOL, LATE AFTERNOON COOK-OUT. QTH OF N3CX IN THE PENNSBURG AREA. A MAP AND DIRECTIONS WILL BE INCLUDED IN THE AUGUST ISSUE OF CHEESE-BITS.

* * *

TID BITS

Sunspot No. for May 1987 = 30.6. Smoothed No. for November 1986 = 14.8.

Congrats to the Connors (WB2NPE) on the arrival of Paul Joseph, 81bs. - 7 oz. on June 2, 1987. Timing great - allowed Rick to go to Spruce Knob!

Congrats to the Zumbachs (WA3AQA) on becoming grandparents recently.

Good wishes to Marsha, WA3TEM on completing 20 years as the typist for this news It:

Tom Jenkins, K3VIT will be back on the VHF/UHF bands soon after completion of a new antenna system.

Pack-Rat WB8ZAR, Dave Martin, gave a talk recently on local TV when he described the operations of a new plant located in Pottsville, Pa. (tnx N2SB)

The bands opened up during the June VHF QSO Party. New grids were poring in on 6 & 7. The Spruce Knob gang worked over 200 grids!

The 6 mtr band opened up to the U.K. on June 19th. W2AXU reported working G's. He also chased some horrible noises coming out of the 20° area toward the continent of the Soviet Union. KS2T reported working G, GM, and GW fairly quickly.... a total of 19 stns!

Membership dues are now 100% paid up!

John Allen - W3CXU requests help in repairing his damaged antenna system. Are there any volunteers?

SUNSPOT NUMBERS - CHANGES

reported by Jack Power, W2AXU

There has recently been some changes in the values of the Observed Numbers and in the Smoothed Numbers. For those who have been following the numbers in Cheese Bits, I want to give the corrections for your use. I don't know what prompted these corrections, but they do change the picture as to when cycle 21 may have ended. I stated earlier in Cheese Bits that it appeared cycle 22 started as of March 1986. The new values change this to September 1986.

I will only give the month and the value changed. All numbers are the International Sunspot numbers (RI).

<u>MONTH</u>	<u>OBSERVED</u>	<u>SMOOTHED</u>
June 1985		17.6
July	30.7	
August	11.1	
October	18.6	17.3
November	16.2	16.8
December	17.1	15.3
January 1986		13.8
February	23.2	13.1
March	15.1	12.9
April	18.5	13.6
May	13.7	14.3
June	1.1	13.8
July	18.1	13.7
August		13.2
<u>September</u>	3.8	12.4
October	35.4	13.3
November	14.2	14.8
December	6.8	

Ref. - Preliminary Report and Forecast of Solar Geophysical Data, NOAA, Space Environmental Services Center, Boulder, CO 80303, SE5C PRF 613 dated 02 June 1987.

* * *

ARRL SUMMARY OF DOCKET 87-14 COMMENTS: (from ARRL LETTER dated June 2, 1987)

The following is a summary filed by ARRL in its comments to the Commission in Docket 87-14. They provide an excellent overview of past FCC actions regarding the band and why the FCC proposal not only will cause hardship to present users, but will impede the development of future amateur technology on other bands.

"Since 1973, when amateurs occupied 220-225 MHz on a secondary basis, the band has been the target of a vast array of proposals to displace amateur operation there in favor of other uses ... the constant threat of disenfranchisement is a powerful disincentive to amateur interest in the band.

Notwithstanding, amateur occupancy of the band increased at a remarkable pace, especially after 1974 when saturation of the 144-148 MHz band necessitated installation of amateur repeaters on amateur bands above those frequencies. The US proposed an amateur allocation at 220-225 MHz going into the 1979 World Administrative Radio Conference. The 1981 NTIA Study of the 216-225 MHz band concluded that amateurs were the heaviest users of the 220-225 MHz band, and that development of the band should be by sharing between amateurs and non-critical government fixed and mobile users. (continued on page 5)

SWAP SHOP

FOR SALE: Yaesu FT-757GX - \$600. MMT 144/28R \$285. MMT 220/28 - \$150. MMT 432/28S - \$220. Mirage C1012 - \$220. DI010N - \$230.

Kantronics The Interface CW/RTTY with software on disk for C64, Never used - \$115
2 Telrex 2 mtr 2m814 w/phasing harness-\$200.

CONTACT: Jay Miller, KS2T
527 Woodview Road
Toms River, NJ 08753
Phone: 201-244-7623

FOR SALE: From the estate of W3YAF. Complete 10-80 mtrs TEN TEC 560; Corsair VFO, Linear Amp. w/pwr-sply, Ant. Tuner. Excellent cond. Reasonable - for pick-up only.

CONTACT: Mrs. T.V. Winn
6639 Algard St., Phila., Pa. 19135
Phone: 215-331-4181

FOR SALE: 50 Ft. EZ-WAY crank/tilt twr w/trp HF beam; Hy-Gain HF Vert., HB 10/15 Vert.

CONTACT: Larry Metzman - Phone: 215-884-3199

FOR SALE: Excellent Meriton integrated Sterec System, AM - FM - Phono, Cassette record & play; no spkrs - \$25. Tubes, 8 trk tapes, cassette tapes, TRS 80 books & programs 50¢-u Radio Shack parts, HO trains, track, switches cars structures. Hot Hallicrafters SX 110 - \$5 Sears 15" Color TV - Tubes - w/manual - \$50.

CONTACT: Doc Cutler
Phone: 215-635-1078

FOR SALE: Commodore 64 computer, 1541 disc & 1702 color monitor; CN2 cassette; Geos software 20 other discs; Kola pad - all for \$375.

CONTACT: George, WB3IGR
Phone: 215-576-1897

WANTED: Tube type stereo rcvrs. 1964-1968 era; ie. Fisher, Harmon Kardon, Scott, etc. any cc

CONTACT: Gary Hitchner, WA2OMY
Phone: 215- 539-6409

COMMERCIAL AD

LOOP YAGIS: 902 MHz and 1296 MHz \$77 kit, \$93 assembled and tested. 2304 MHz \$67 kit and \$80 assembled. Also, 2 and 4 way power dividers and stacking frames. LINEAR AMPLIFIERS: 1296- 10W in 35 watts out \$295. Call for special Pack Rat discounts and prices on complete arrays! NEW!! Microwave Transverters and preamps by LMW ELECTRONICS. 2304 MHz deluxe transverter Model 2304 TRV2D; 144 MHz I.F. Power out 2 watts, includes separate GaAsFET preamp, NF 1 db and built-in T?R sequencing circuit, relative output meter and built-in I.F. Attenuator to match inputs from 100 MW to 10 watts. Price complete \$569; 1296 deluxe transverter, model 1296TRV6D similar to 2304 unit 6-7 watts out, .7db N.F. price \$489. Stripped down versions available at lower cost, also available in kit form. 902 MHz version coming soon. Universal local Oscillator Kit model ULO. Multiple outputs in 1 and 1.2 GHz range depending on xtal. \$33.75 less xtal. Write to obtain complete catalog. DOWN EAST MICROWAVE, Bill Olson, W3HQT, Box 1655A, RFD #1, Burnham, ME 04922, Phone: 207-948-3741.

* * *

DOCKET 87-14 (continued from page 4)

The three Petitions on which the instant Notice was based did not seek specifically to displace amateurs. In fact, the LAOAD Petition specifically sought to avoid any use of the 220 MHz band. The Notice in this proceeding is thus faulty in its premises. If land mobile needs any additional spectrum at all, given the recent 800 MHz allocations and the pending UHF-TV/land mobile sharing docket, a narrowband allocation should be established elsewhere, within the existing allocation at 30-50 or 150 MHz, or in the 216-220 MHz segment.

The Amateur Radio Service has a variety of critical operations at 220-222 MHz, including fixed, auxiliary and control links for repeaters, beacons, weak-signal propagation, research and experimentation, and most recently, an increasing number of high-speed data links for amateur packet operation. These links must be situated at 220-222 MHz due to the bandwidth and path lengths required, and the heavy loading of the 222-225 MHz segment. The commission's proposal stands to seriously harm the development of existing operations, including repeater operations on other bands, and a new emergency communications technology with remarkable potential. For these and other reasons, the Notice proposal should not be adopted; amateurs should have continued access to the entire 220-225 MHz band."

* * *

FOR SALE: 902 to 144 MHz xvtrr, SSB Electronics model LT-33S; 8 watts output, 1.4 db noise figure. Excellent condition, \$400 firm. Ipay shipping.

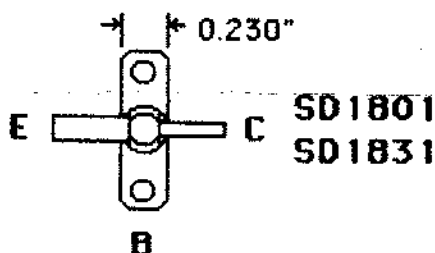
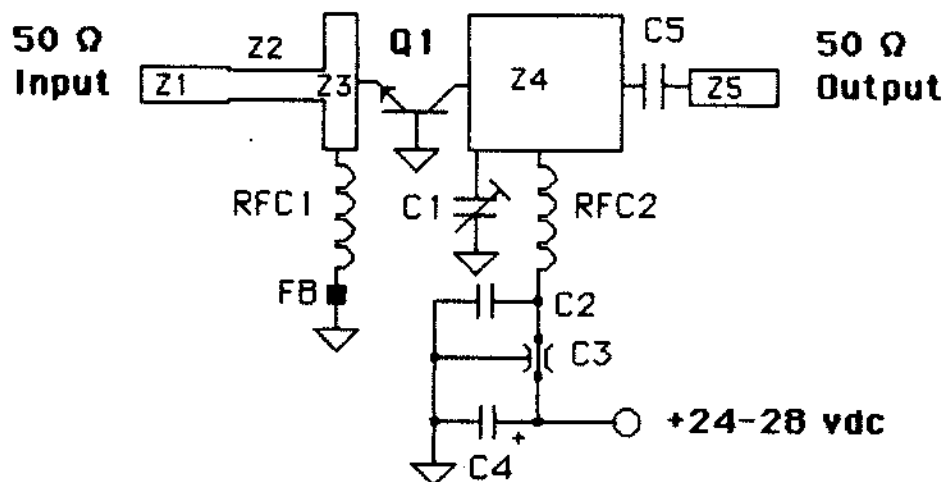
CONTACT: Mark Wilson, AA2Z, 229 E. High St., East Hampton, CT 06424
Phone: 203-666-1541 days, 203-267-2179 evenings.

3456 MHz 1 watt Amplifier

Power Input 200 mw

Input RTL >15 dB

P_{sat} 1.5 watts



C1 3 pf Johanson Gigi-trim
 C2 20 pf chip
 C3 470 pf Feedthru
 C4 1 ufd Tantalum
 C5 10 pf chip

RFC1,2 3t, #24, 0.1" ID
 FB Ferrite bead

Q1 Thomson SD1801,SD1831

Z1,5 0.080" X any length 50 Ohm line

Z2 0.060" X 0.350"

Z3 0.100" X 0.350"

Z4 0.375" X 0.375"

Adjust the width of Z2 and
 length of Z3 for Input RTL

Board material is 1/32" Teflon Er=2.5

**DOWN
EAST
MICROWAVE**

MICROWAVE ANTENNAS AND COMPONENTS

BILL OLSON
W3HQT

Box 1655A, RFD 1
Burnham, ME 04922
(207) 948-3741

**73 Amateur Radio's
Technical Journal**

PO BOX 931
FARMINGDALE, NY 11737

\$25 one year \$53 three years

NE 7-8929

GEORGE S. VAN DYKE, JR., P.E.
CONSULTING ENGINEER

W3BK

4607 CONVENT LANE
PHILA., PA. 19114



AMIL S. GUMULA
PRESIDENT

A. G. RADIO PARTS CO.
939 TOWNSHIP LINE RD.
ELKINS PARK, PENNA. 19117
TELEPHONE: 215-898-5100

RCA Authorized
Distributor

(302) 328-7728
ORDER LINE 800-441-7008



Delaware Amateur Supply
"AMATEUR SALES AND SERVICE"

PAUL WA3OPX
KATHY KA31YO

71 MEADOW ROAD
NEW CASTLE, DELAWARE 19720

AMATEUR
SALES & SERVICE

(215) OL 9-5900

"HAM" BUERGER INC.
Communication Specialists

BOB HERSHMAN
WA3ZID

68 N. YORK RD.
WILLOW GROVE, PA. 19090

215-342-5982

WA3HIT

Paul and Betty Rilling

INCOME DIVERSIFICATION

5830 Weymouth Street -Phila., Pa.19120

The Ham Radio Publishing Group



Greenville, NH 03048 (603) 878-1441

HAM RADIO - the Technical Ham's
Magazine. Ask for a free sample
copy or our Book Catalog.

CALL DOC GUTLER (K3GAS)
FOR YOUR ELECTRONIC NEEDS

NEW, RECONDITIONED, OR AS IS.

LOW PRICES

by appointment, 215-635-1078

CARL BARISH



**NESHAMINY
TRAVEL
SERVICE**

Harriet Soltoff
Home: (215) 947-4483

xy1 K3IUV

2337 Neshaminy Blvd.
Bensalem, PA 19020

BROWSING-THURS. 7⁰⁰-9⁰⁰
SAT. 8⁰⁰-4⁰⁰

Day-Nite (15) 455-2121

FERTIK'S ELECTRONICS

Components & Equipment

LEON FERTIK

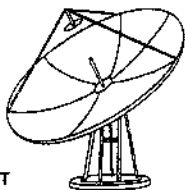
5400 ELLA STREET
PHILADELPHIA, PA. 19120

**PRINTECH
PRINTING**

13620 NE 20th Suite D
Box 4247
Bellevue, WA 98009
746-8000

IVARS LAUZUMS
52 Stonewyck Drive
Belle Mead, New Jersey 08502
(201) 874-6013

Tonna Antennas
Microwave Modules



THE "PX" SHACK

KC2PX

VHF/UHF
EQUIPMENT

EASTSIDE SURPLUS SALES

12894 NE 15th PLACE
BELLEVUE, WA 98005

(206) 453-0795

Carl Barish
KC7ZC

A CANDY STORE OF PARTS FOR THE EXPERIMENTER.

(302) 328-7728
ORDER LINE 800-441-7008



Delaware Amateur Supply
"AMATEUR SALES AND SERVICE"

ROB WA3QLS
GAIL KA3ITN

71 MEADOW ROAD
NEW CASTLE, DELAWARE 19720

(215) 745-6173
(302) 575-4142
(215) 342-8832



COMPU-SIMPLE
COMPUTER APPLICATIONS FOR SMALL BUSINESS

ELLIOTT T. WEISMAN
Consultant

P.O. BOX 7161
WILMINGTON, DELAWARE 19803



Jenkintown & Glenside Electric Co.

220 YORK ROAD
JENKINTOWN, PA.
Turner 4-0375 • 4-1050
WA 7-4325



**JUDGE
INC.**

HOWARD WEINSTEIN
K3BW
DoD Tech Recruiter

THE EXECUTIVE NEWS
SUITE G-37
1930 E. MARLYN PIKE
CHERRY HILL, NJ 08003
609-424-8600

"HAM" BUEGER, INC.
Electronic Equipment Distributor
"Right in the middle of a lot of good company!"

88 N. YORK ROAD
WILLOW GROVE, PA 19090
215-659-5900
Service Since 1956

If we're
judged by the
company we
keep, we should
do pretty well!



SPRAGUE (THE MAKE OF REPUTATION)
TELEX
CUSHCROFT
TAB BOOKS
TRW
NBC
VIBROPLEX
BEANCOAT
"W2AU" HAM KEY
ROHN
ASTATIC
Miller
DRAKE
CODE
Saxton
ICOM
CBS

Wilson Electronics Corp.
Xcelite
AMPHENOL
ES
BW
ES
AMP SPECIAL INDUSTRIES
COVER-CRAFT
SWAN
AMCO
MP
phelps dodge
HUSTER
Vector
MISCO
BITO
communications specialists
Waldom
callbook
GILFER LMB
TPL
Weller
nte
DRAKE
CODE
Saxton
ICOM
CBS

TRENTON, NJ
JUN 11 1987

TRENTON, NJ
JUN 11 1987

Cheese Bits

2087 Parkdale Ave.
Glenside, Pa. 19038

MEETING NOTICE



MT. AIRY
VHF
RADIO
CLUB,
INC.

W3FQD
DICK HUNTZINGER
130 FAIRHILL DR.
CHURCHVILLE, PA. 18966



PACK RATS

FIRST CLASS